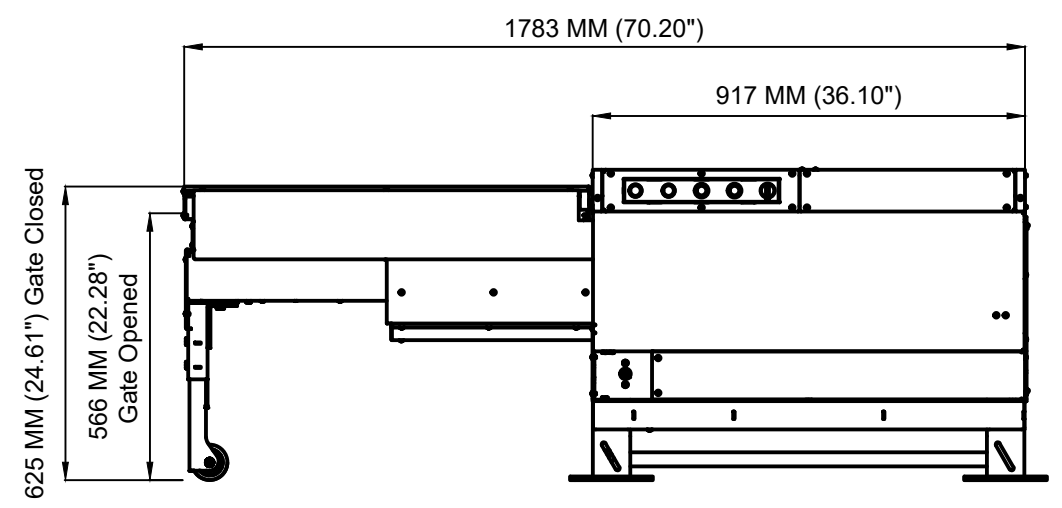
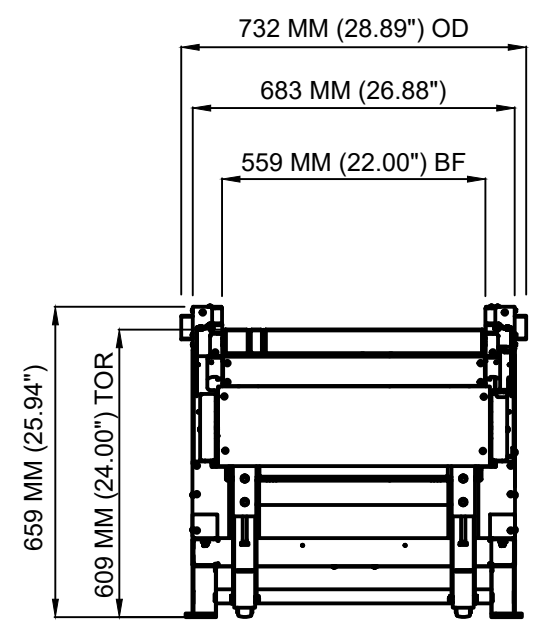
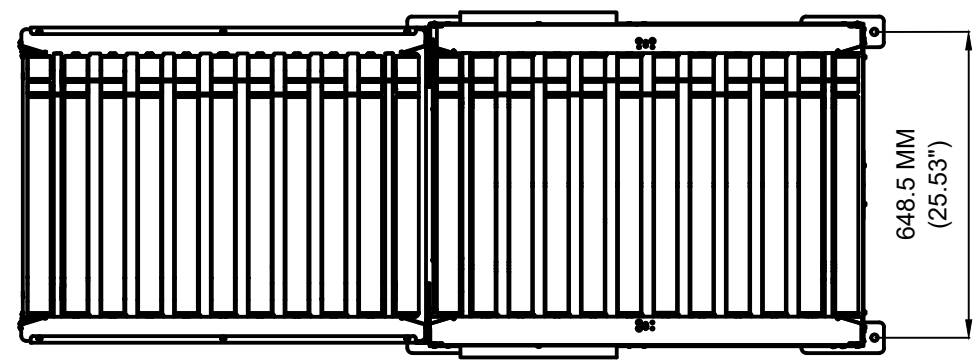


| REV | REVISION DESCRIPTION | DATE |
|-----|----------------------|------|
| | | |
| | | |

MODEL: SOG2-A60-W544-H1-LG-EP

A60 - NO-LOAD SPEED: 196.8 FPM
W544 - BF WIDTH 559MM (22.00")
H1 - TRANSFER SURFACE 609 MM - 660 MM (24.00"-26.00")
E - PRICE INCLUDES (1) IB - E03BP AND (1) HBS-202FP
P - PNP SIGNAL OUTPUT



CHECK BOX NEXT TO DRIVER CARD TYPE NEEDED

CB IB
(STANDARD DRIVER CARDS) (NETWORK DRIVER CARDS)

CHECK BOX NEXT TO SENSOR TYPE NEEDED

PNP NPN

APPROVED BY: _____

DATE: _____

| | | |
|------------------------------|--------------------------|--------------|
| ITOH DENKI USA, INCORPORATED | | |
| SLIDE OPEN GATE | | |
| CUSTOMER: XXX | | |
| DRAWN BY: XXX | SCALE: NONE | DATE: XXXXXX |
| CHECKED BY: XXX | DRAWING NUMBER: IDU-XXXX | REVISION: 00 |