

# PM486XE

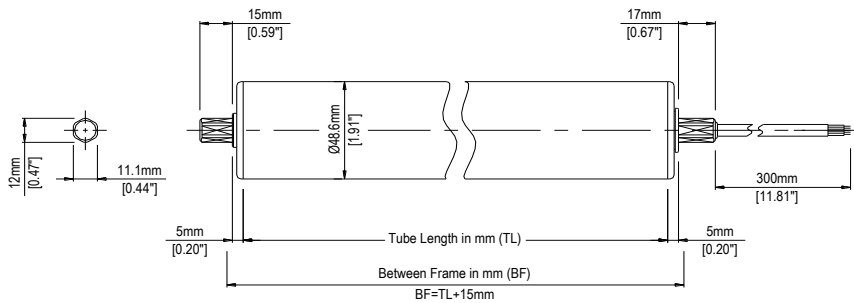


Diameter: 1.91" (48.6mm)  
Voltage: 24V DC

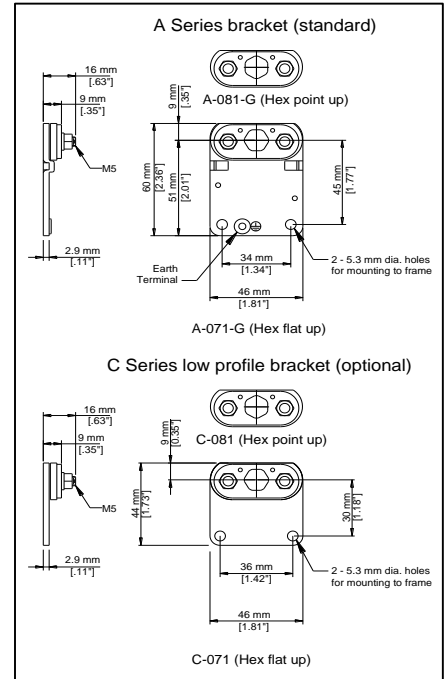
## Features

- Brushless DC motor provides long life
- ABEC 1 Bearings
- DOM, zinc plated, carbon steel tube
- Internal driver card simplifies wiring direct to roller
- Stable speed function without various torque
- 7/16" Hex (plain) shafts standard
- Highly durable metallic gears

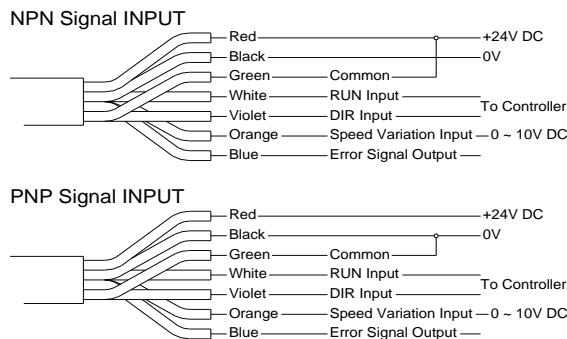
## Dimensions



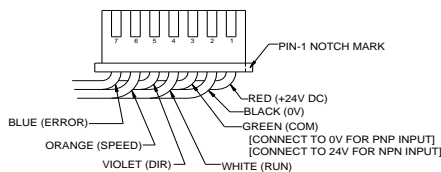
## Mounting Brackets



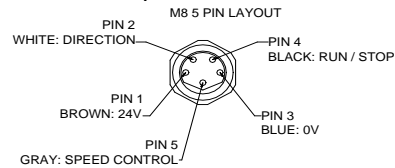
## Wiring



Optional 7 pin JST connector (XHP-7)  
For use with terminal block A-B70 / A-B80



Optional cable-less Snap-In-Drive connector  
For use with Snap-In-Drive ZPA controller



See page 43 for more details

## Operation

- Cycle: 1s ON; 1.5s OFF
- Continuous or Intermittent duty
- Do Not Exceed 150% of No-Load Speed

## Protection

- Motor is protected from overheating
- Undervoltage error
- Back EMF error

## Environment

- Ambient Temperature 32~104° F (0~40°C)
- < 90% Relative Humidity (No condensation)
- No Corrosive Gases
- Vibration < 0.5G

## Performance Data

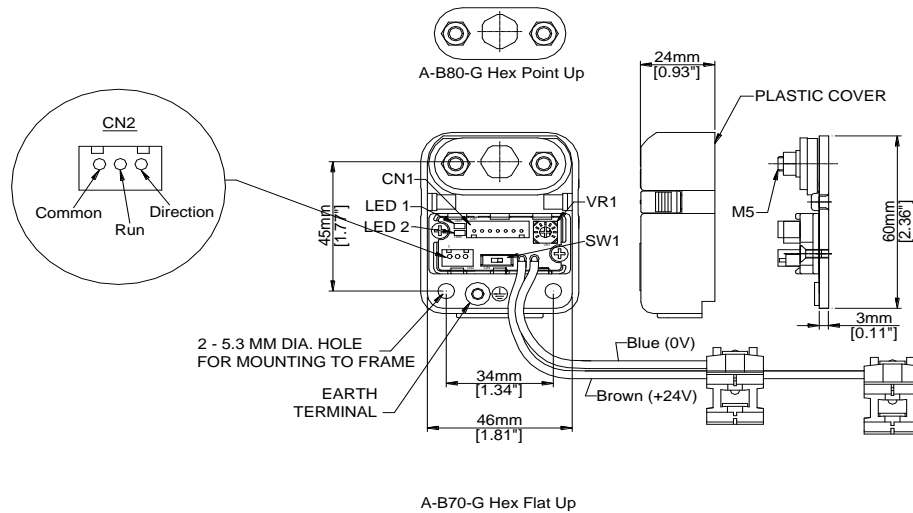
Standard		10 Speed Settings				Current (A)		
Gear Stage	Speed Code	No-load (FPM)		Tangential Force (lb) Starting	Torque (lb-in) Starting	At highest speed		
		9.5 V	0.5 V			Starting	No-Load	Rated
3	17	55.4	6.9	60.3	57.5	2.0	0.3	1.7
	30	93.2	11.8					
2	60	196.8	24.6	19.6	18.6			
	100	331.6	41.3					

## A-B70-G & A-B80-G Terminal Block

- I/O terminal on mounting bracket
- Built in 10kΩ resistor for speed variation
- Speed adjustable from 12.5% to 100%
- Reverse direction by slide switch

- Green LED indication for 24V DC power
- Red LED indication for motor error
- 24V DC is supplied using cable splice connectors
- RUN and DIR inputs from any 24V DC switching source

\*Note: "C007" (70mm) power cable option is required for use with this terminal block



To view card wiring diagrams and more information please visit [www.itohdenki.com](http://www.itohdenki.com)

### Minimum Tube Lengths and Options



With spring loaded shaft

When ordering error output signal type must be specified:

Option Signal type

NN - NPN error output

Example: PM486XE-60-366-D-024-**NN**

NP - PNP error output

Non Grooved Tube	Gear Stages		
	1	2	3
	282mm (11.10")	310mm (12.20")	332mm (13.07")

P2 Double Groove Tube (50/32)	Gear Stages		
	1	2	3
	334mm (13.15")	362mm (14.25")	385mm (15.16")



Lagging  
Wide range of rubber laggings available



VP or VG pulley end cap	Gear Stages		
	1	2	3
	282mm (11.10")	310mm (12.20")	332mm (13.07")

VP - Between Frame -35mm = Tube length

VG - Between Frame -41mm = Tube length