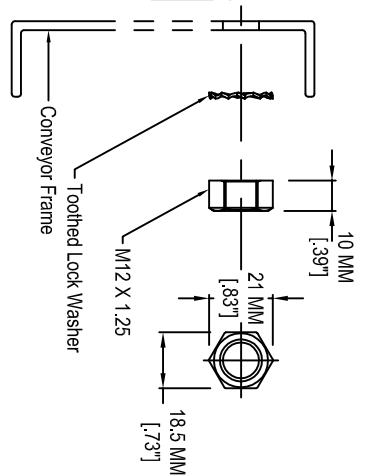
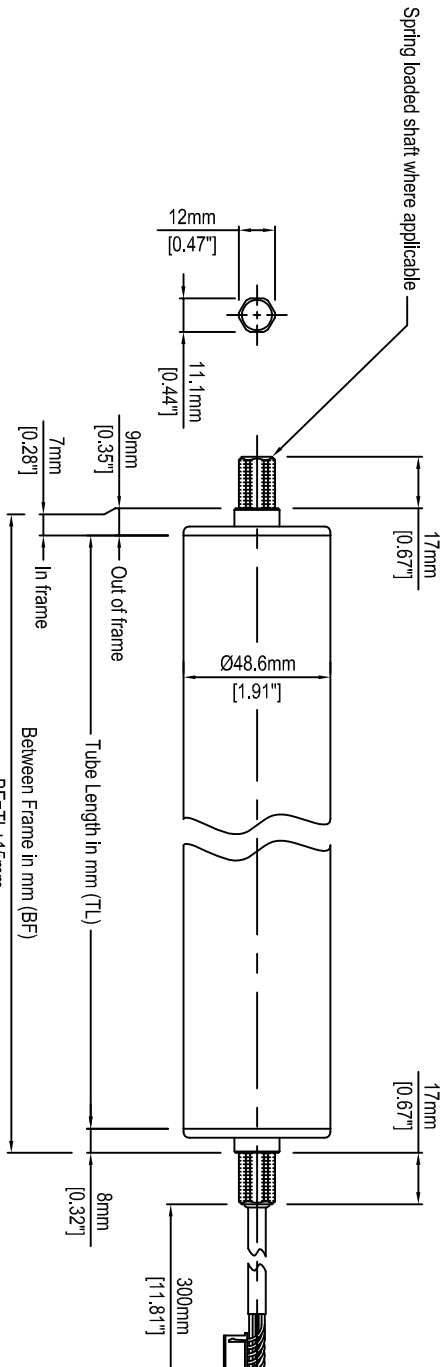


| REV | DESCRIPTION | DATE |
|-----|-------------|------|
| | | |
| | | |
| | | |



*Note: Nuts are to be tightened to 22.1 lb-ft ± 10 %

Note: Brackets Required On Both Sides

JT Shaft option shown



ITOH DENKI
 ITOH DENKI, USA, INC.
 135 STEWART ROAD
 HANOVER INDUSTRIAL ESTATES
 HANOVER TOWNSHIP, PA 18706
 Ph: 888-310-8811 www.itohdenki.com

ITOH DENKI USA, INCORPORATED
PM486FS POWER MOLLER WITH JT SHAFT

| | | |
|-------------|---------------|----------------|
| SCALE: NONE | DRAWN BY: BNB | DATE: 05.01.09 |
|-------------|---------------|----------------|