

POWER MOLLER® 24!

SERIES PM486/500LE【Brushless DC Motorised Roller】HANDLING INSTRUCTIONS

※ Motor driver card is NOT enclosed. It is separately supplied.

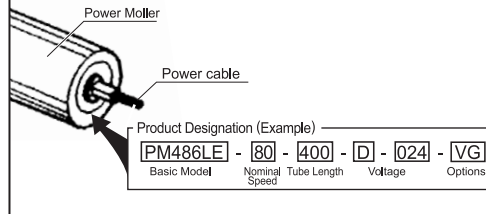
We thank you for your purchase of our Power Moller. Please read this handling instructions first to understand the product, safety information and cautions before using the product. Keep the handling instructions at certain place, to be ready whenever needed. Make sure whether the product you received complies to your purchase order, with its designation, specifications and operating voltage.

To use the product properly and safely

- Do not use the product in explosive, ignitable gas, corrosive, watery (except waterproof, dripproof unit) environment, or around flammable products.
- Switch off the power, when conveyor removal, wiring or maintenance is done, otherwise you have a risk of electrical shock or injury.
- Respect the electrical regulations of the site or the equipment, where the product is installed. (Labour safety and sanitary regulations, electrical equipment technical standard, etc)
- Make sure the conveyor is grounded.
- Also make sure the Power Moller's shafts are tightly fixed using the standard mounting brackets supplied together, before operating the unit.
- Do not injure, pull, twist, nip nor additionally process the power cable.
- No condensation.

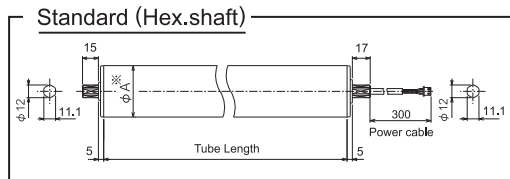
Confirmation of the product

① Make sure you received the right product by checking the model number written on the circular label put on the roller's end-housing of the power cable side. Also make sure one (1) set of right Mounting Bracket is enclosed, referring to the drawings below.



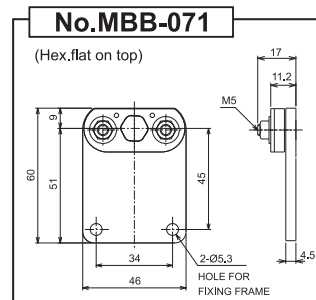
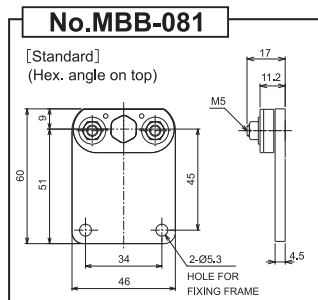
Power Source

- 24VDC Battery, or 24VDC Power Supply
- Battery or fullwave rectified and smoothed current <10% Ripple



Model	PM486LE	PM500LE
Roller diameter	φ 48.6	φ 50.0
Diameter φ A(mm)		

Mounting bracket



※ Specify clearly the bracket number if non-standard bracket is required.

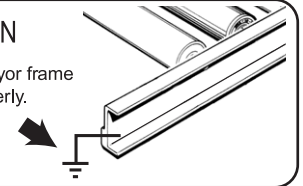
Installation

⚠ CAUTION

Unit's shaft must be fixed to the conveyor frame with Mounting bracket supplied with the unit. Rattling or idle rotation of the shaft may break the power cable, causing disconnection, by which the Power Moller will cease functioning.

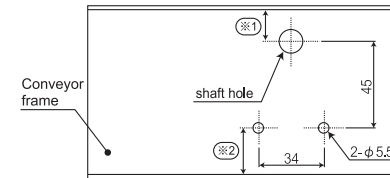
⚠ CAUTION

Make sure conveyor frame is grounded properly.



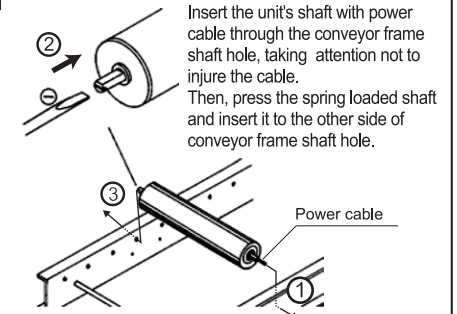
1

Make screw holes to mount the mounting bracket on the conveyor frame where power cable goes through per illustrated below.



※1: space >=9mm must be kept
※2: space >=6mm must be kept

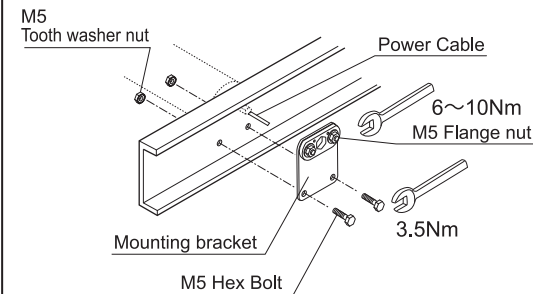
2



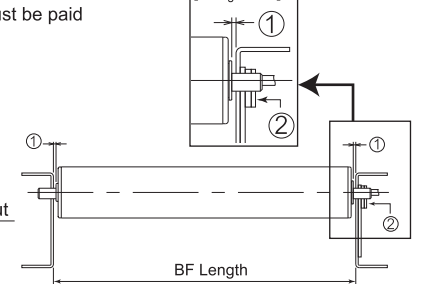
Care must be paid not to damage the power cable

3

Install the Mounting Bracket to the conveyor frame per illustrated below to stationary hold the Power Moller's shaft. Care must be paid not to damage the power cable or its connector.



[Enlarged view]



- ① Conveyor's between frame dimension must leave 2 to 5mm gap when the Power Moller is mounted into the conveyor frame.
- ② The shaft must be held stationary by three stack of metallic piece as illustrated above.



ITOH DENKI CO.,LTD.
Phone: +81 790 47 0955 Fax: +81 790 47 1325
URL: <http://www.itohdenki.co.jp>
Email: info@itohdenki.co.jp

ITOH DENKI EUROPE SAS
Phone: +33 450 03 09 99 Fax: +33 450 03 07 60
URL: <http://www.itoh-denki.com>
Email: commercial@itoh-denki.com

ITOH DENKI USA,INC
Phone: +1 570 820 8811 Fax: +1 570 820 8838
URL: <http://www.itohdenki.com>
Email: info@itohdenki.com

ITOH DENKI ASIA LIMITED
Phone: +852 2427 2576/7 Fax: +852 2427 2203

ITOH DENKI SHANGHAI COMPANY LIMITED
Phone: +86 21 6341 0181 Fax: +86 21 6341 0180
URL: <http://www.itohdenki.com.cn>
Email: fhao-ids@itohdenki.cn

※ Specifications are subject to change without prior notice.