

PM635FS DC Motor Driven Roller

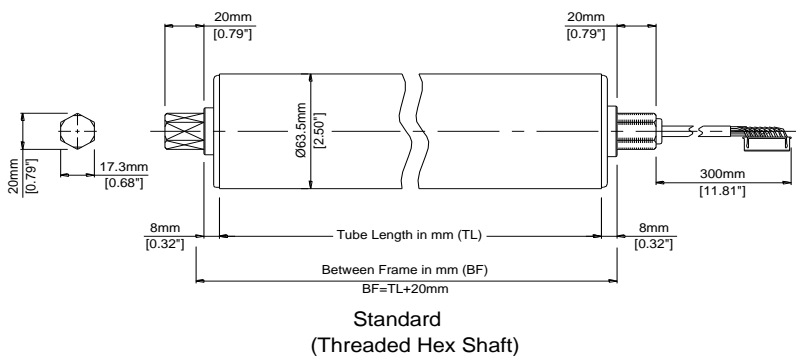


Diameter: 2.50" (63.5mm)
Voltage: 24V DC

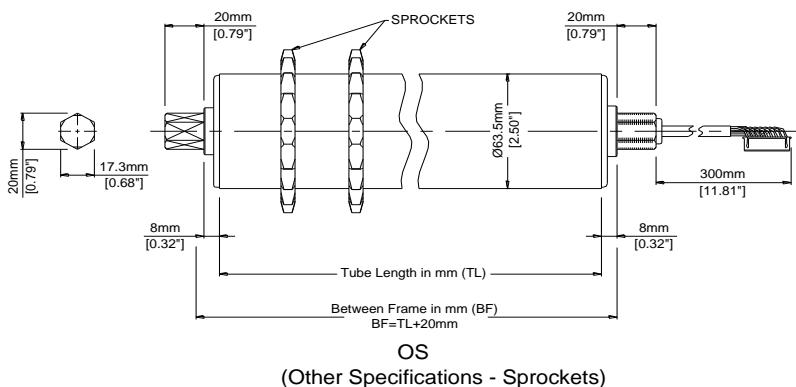
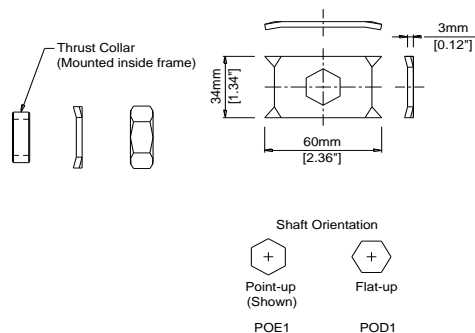
Features

- Brushless DC motor provides long life
- ABEC 1 Bearings
- DOM, carbon steel tube
- Heavy duty pallet handling
- Low profile requirement of pallet handling
- 11/16" Threaded hex shaft standard

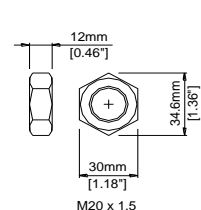
Dimensions



Mounting Brackets



(standard sprockets 40A21, 50A17, & 60A15)



*Note: Nuts are to be tightened to 110.6 lb-ft ± 10%

Operation

- Cycle: 1s ON; 1s OFF
- Continuous or Intermittent duty
- Do Not Exceed 150% of No-Load Speed

Protection

- Thermal overload 221°F (105°C) in the motor when used with an Itoh Denki controller

Environment

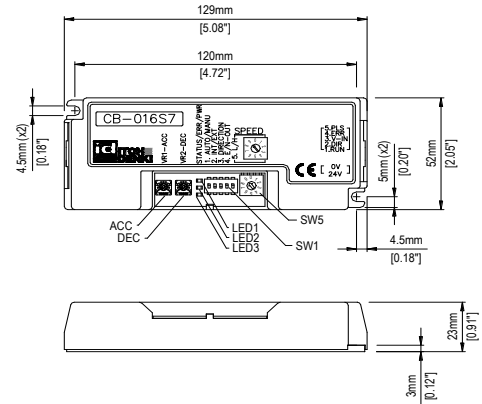
- Ambient Temperature 32~104° F (0~40°C)
- < 90% Relative Humidity (No condensation)
- No Corrosive Gases
- Vibration < 0.5G

PM635FS Performance Data



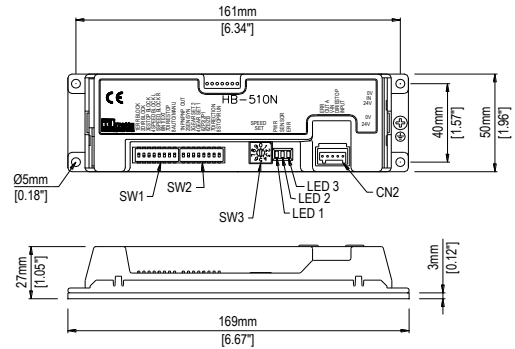
CB-016S7 20 speed settings								
Gear Stage	Speed Code	No-load (FPM)		Tangential Force (lb) Starting	Torque (lb-in) Starting	Current (A)		
		SW1-5 on	SW1-5 off			At highest speed		
		SW5 9	SW5 0			Starting	No-Load	Rated
3	6	34.1	9.2	114.3	142.9	4.0	0.4	2.0
	10	47.7	9.2	108.6	135.7	4.0	0.5	2.7
	15	63.0	9.2	91.5	114.3	4.0	0.7	3.2
	20	74.0	9.2	80.0	100.0	4.0	0.9	3.5
2	25	128.6	34.8	34.4	43.0	4.0	0.4	2.0
	40	180.0	34.8	32.7	40.9	4.0	0.5	2.7
	60	237.9	34.8	27.5	34.4	4.0	0.7	3.2
	75	279.2	34.8	24.1	30.1	4.0	0.9	3.5

CB-016S7



HB-510N 10 speed settings								
Gear Stage	Speed Code	No-load (FPM)		Tangential Force (lb) Starting	Torque (lb-in) Starting	Current (A)		
		SW3 9	SW3 0			At highest speed		
		High	Low			Starting	No-Load	Rated
3	6	34.1	18.4	114.3	142.9	4.0	0.4	1.9
	10	47.7	18.4	108.6	135.7	4.0	0.5	2.5
	15	63.0	18.4	91.5	114.3	4.0	0.7	3.0
	20	74.0	18.4	80.0	100.0	4.0	0.9	3.2
2	25	128.6	69.9	34.4	43.0	4.0	0.4	1.9
	40	180.0	69.9	32.7	40.9	4.0	0.5	2.5
	60	237.9	69.9	27.5	34.4	4.0	0.7	3.0
	75	279.2	69.9	24.1	30.1	4.0	0.9	3.2

HB-510N



Performance data with other cards available upon request.

Minimum Tube Lengths and Options

Without spring loaded shaft

With spring loaded shaft

Standard	Gear Stages	
	2	3
Without spring loaded shaft	387mm (15.24")	410mm (16.14")
With spring loaded shaft	352mm (13.86")	375mm (14.76")

Between Frame - 20mm = Tube Length

SW Double Sprocket End Cap	Gear Stages	
	2	3
Without spring loaded shaft	387mm (15.24")	410mm (16.14")
With spring loaded shaft	352mm (13.86")	375mm (14.76")

SW - Between Frame - 63mm = Tube Length

OS Sprockets Welded to Tube*	Gear Stages	
	2	3
Without spring loaded shaft	387mm (15.24")	410mm (16.14")
With spring loaded shaft	352mm (13.86")	375mm (14.76")

OS - Between Frame - 20mm = Tube Length

VG Poly V Belt Pulley End Cap	Gear Stages	
	2	3
Without spring loaded shaft	387mm (15.24")	410mm (16.14")
With spring loaded shaft	352mm (13.86")	375mm (14.76")

VG - Between Frame - 66mm = Tube Length

*Contact an Itoh Denki representative to review your specific application