

# PM570KT DC Motor Driven Roller

**Diameter:** 2.24" (57.0mm)

**Voltage:** 24V DC

## Standard Features

- Brushless DC motor provides long life
- ABEC 1 Bearings
- 13.5mm (0.53") hex shaft
- High torque
- Supplied with 1000mm (39.4") power cable
- IP54 Enclosure
- Class E Insulation



Spring loaded shaft roller

## Operation

- Cycle: 1s ON; 1 OFF
- Continuous or intermittent duty
- Do not exceed 150% of no-load speed

## Protection

- Thermal overload 221°F (105°C) in the motor when used with an Itoh Denki controller

## Environment

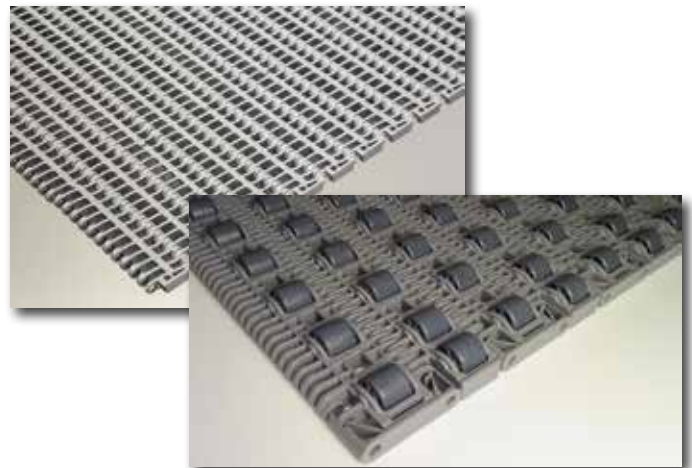
- Ambient temperature 32~104° F (0~40°C)
- < 90% relative humidity (no condensation)
- No corrosive gases
- Vibration < 0.5G



*Our Power Moller 24 motorized driven roller has been modified with a splined aluminum tube profile which is fitted with Intralox's patented MDR sprocket that allows the roller to drive the belt.*



Intralox patented MDR sprocket



Modular Plastic Belting by Intralox

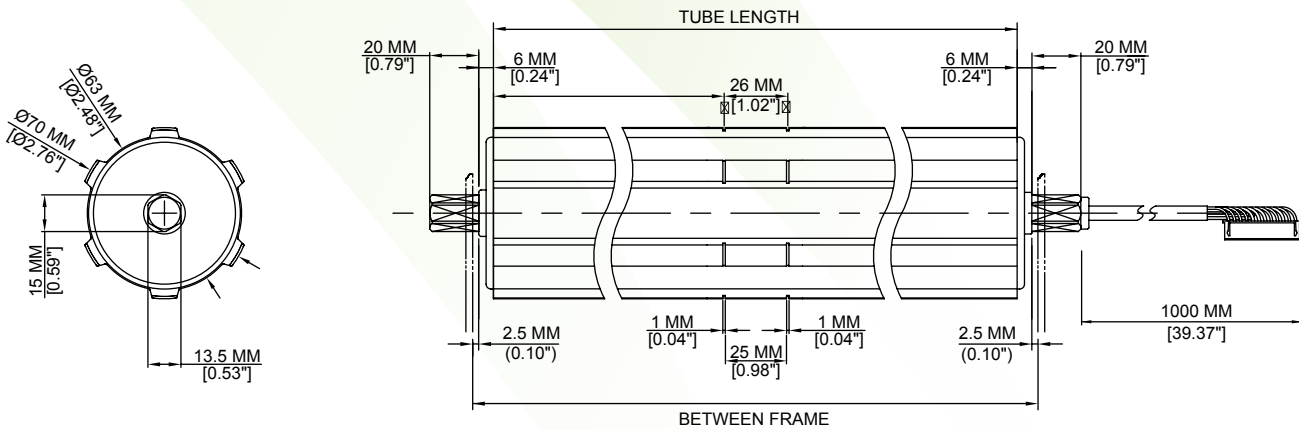
See page 39 for IB-E04 diagram  
 \*Controls 2 Power Mollers



See page 37 for HBK-608 diagram



HBK-608FP Performance Data using PM570KT							
Speed Code	No-load (FPM)	No-load (FPM)	Tangential Force	Torque (lb/in)	Current (A)	Current (A)	
	High	Low		Starting		Starting	No-Load
15	53.1	13.1	202.4	236.8	6.9	0.6	3



**Minimum Tube Length**

**MIN** 360mm (14.17")

**Standard Hex Shaft Mounting Brackets - Point Up**

- MBK-0K1-6 (Cable end)
- MBK-0K1-7 (Spring loaded end)

**1 each of the above mounting brackets needed for this roller**

See page 54 for bracket diagrams