

# PM570BP AC Motor Driven Roller

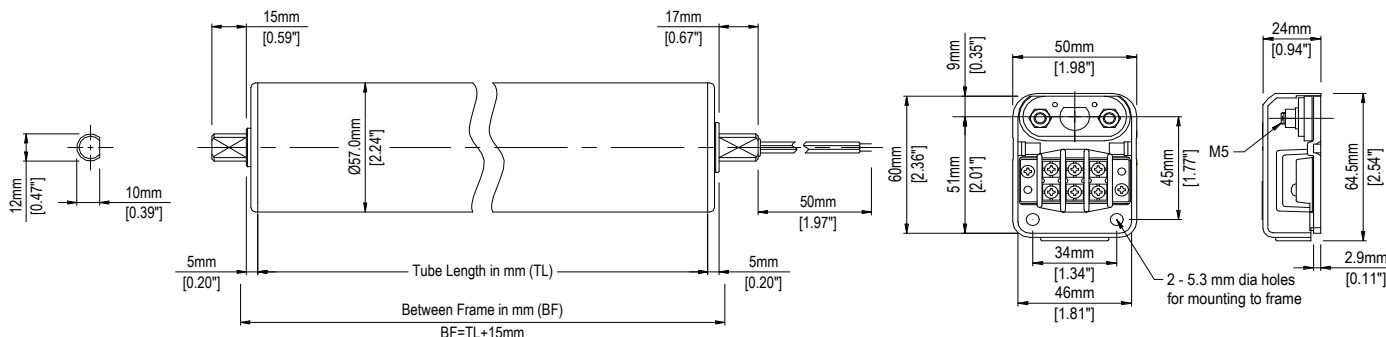


Diameter: 2.25" (57mm)  
Voltage: 230 V Three Phase

## Features

- Thermally stable motor that can be operated 24/7 without fear of overheating
- ABEC 1 Bearings
- DOM, zinc plated, carbon steel tube
- Designed for heavy load conveyors
- 12mm (0.47") Dia. D-Shafts

## Dimensions



## Performance Data

3Φ 230V 60Hz						
Speed Code	No-Load Speed (ft/min)	Tangential Force Starting (lb)	Torque Starting (lb-in)	Current (A)		
				No-Load	Rated	Starting
5	19.7	60.8	68.2	0.09	0.10	0.31
8	27.6	43.0	48.2			
10	39.0	30.4	34.1			
15	74.5	15.9	17.9			
20	100.4	12.6	14.2			
30	142.1	8.9	10.0			
40	218.5	5.8	6.5			

Mounting Hardware: A-200 Terminal Block

## Environment

- Ambient Temperature 14~104° F (-10~40°C)
- < 90% Relative Humidity (No Condensation)
- No Corrosive Gases
- Vibration < 0.5G

## Operation

- Cycle: 3s ON; 5s OFF
- Continuous or Intermittent duty
- Do Not Exceed 150% of No-Load Speed

## Minimum Tube Lengths and Options

- Without spring loaded shaft
- With spring loaded shaft
- Non Grooved Tube
- 200 mm (7.87")
- 250 mm (9.84")

- Lagging**  
Wide range of rubber laggings available
- P2 Double grooved tube (65/30)**  
310 mm (12.20")
- VP V-Belt pulley end cap**  
250 mm (9.84")

- BR Brake**  
250 mm (9.84")
- DR Drip proof IP-55**  
240 mm (9.45")
- WA Waterproof IP-65**  
240 mm (9.45")
- 300 mm (11.81")
- 250 mm (9.84")
- \*WT Spring loaded shaft option
- 260 mm (10.24")

\*Waterproof option does not include spring loaded shaft, add WT to model number for tube lengths 260 mm and over to receive spring loaded shaft  
Check with your Itoh Denki representative for WA speeds available