

# PM570AS AC Motor Driven Roller

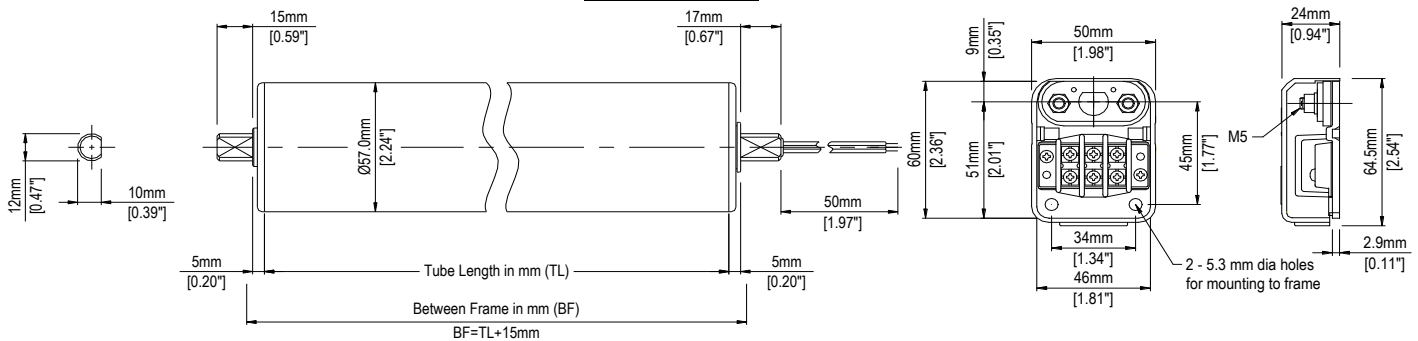


Diameter: 2.25" (57mm)  
 Voltage: 115 V Single Phase  
 230 V Three Phase

## Features

- Thermally stable motor that can be operated 24/7 without fear of overheating
- ABEC 1 Bearings
- DOM, zinc plated, carbon steel tube
- Designed for medium to heavy load conveyors
- 12mm (0.47") Dia. D-Shafts

## Dimensions



## Performance Data

Mounting Hardware: A-200 Terminal Block

3Φ 230V 60Hz				1Φ 115V 60Hz			
Speed Code	No-Load Speed (ft/min)	Tangential Force Starting (lb)	Torque Starting (lb-in)	Speed Code	No-Load Speed (ft/min)	Tangential Force Starting (lb)	Torque Starting (lb-in)
4	14.8	27.9	31.2	4	14.8	11.4	12.8
5	20.3	20.3	22.8	5	20.3	8.4	9.4
8	29.9	14.0	15.7	8	29.9	5.8	6.5
9	37.4	11.1	12.5	9	37.4	4.6	5.1
10	41.0	10.2	11.4	10	41.0	4.2	4.7
13	51.5	8.0	9.0	13	51.5	3.8	4.2
15	62.7	7.6	8.6	15	62.7	3.3	3.7
20	89.6	5.4	6.0	20	89.6	2.4	2.7
30	130.6	3.7	4.2	30	130.6	1.7	1.9
45	170.9	2.8	3.2	45	170.9	1.3	1.4
50	188.0	2.5	2.8	50	188.0	1.1	1.2
60	247.4	2.0	2.2	60	247.4	0.9	1.0
<b>3Φ</b>	<b>Current (A)</b>			<b>1Φ</b>	<b>Current (A)</b>		
<b>230V</b>	No-Load	Rated	Starting	<b>115V</b>	No-Load	Rated	Starting
<b>60Hz</b>	0.06	0.06	0.13	<b>60Hz</b>	0.17	0.19	0.28

## Environment

- Ambient Temperature 14~104° F (-10~40°C)
- < 90% Relative Humidity (No Condensation)
- No Corrosive Gases
- Vibration < 0.5G

## Operation

- Cycle: 3s ON; 2s OFF
- Continuous or Intermittent duty
- Do Not Exceed 150% of No-Load Speed

## Minimum Tube Lengths and Options

Without spring loaded shaft

With spring loaded shaft

Non Grooved Tube

200 mm (7.87") 250 mm (9.84")

Lagging

Wide range of rubber laggings available

P2 Double grooved tube (65/30)

320 mm (12.60")

VP V-Belt pulley end cap

250 mm (9.84")



EC Free clutch

280 mm (11.02") 330 mm (13.00")

BR Brake

250 mm (9.84") 300 mm (11.81")

DR Drip proof IP-55

200 mm (7.87") 260 mm (10.24")

WA Waterproof IP-65

260 mm (10.24") 290 mm (11.24")

\*WT Spring loaded shaft option

\*Waterproof option does not include spring loaded shaft, add WT to model number for tube lengths 290 mm and over to receive spring loaded shaft  
 Check with your Itoh Denki representative for WA speeds available