

PM486XP DC Motor Driven Roller



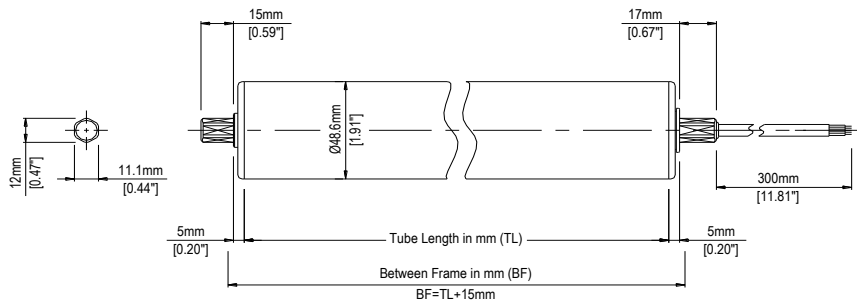
Diameter: 1.91" (48.6mm)
Voltage: 24V DC

Features

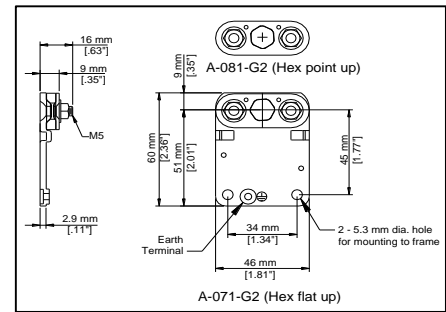
- Brushless DC motor provides long life
- ABEC 1 Bearings
- DOM, zinc plated, carbon steel tube

- High Torque
- Internal driver card simplifies wiring direct to roller
- Stable speed function without various torque
- 7/16" Hex (plain) shafts standard

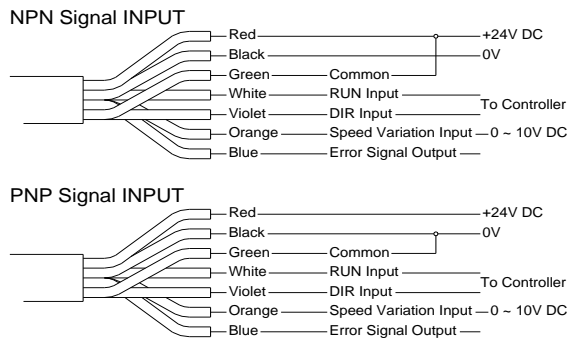
Dimensions



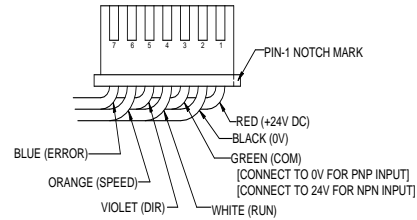
Mounting Bracket



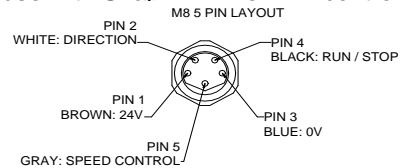
Wiring



Standard 7 pin JST connector (XHP-7)
For use with terminal block A-B70 / A-B80



Optional cable-less Snap-In-Drive connector
For use with Snap-In-Drive ZPA controller



See page 37 for more details

Operation

- Cycle: 1s ON; 1.5s OFF
- Continuous or Intermittent duty
- Do Not Exceed 150% of No-Load Speed

Protection

- Motor is protected from overheating
- Undervoltage error
- Back EMF error

Environment

- Ambient Temperature 32~104° F (0~40°C)
- < 90% Relative Humidity (No condensation)
- No Corrosive Gases
- Vibration < 0.5G

PM486XP Performance Data



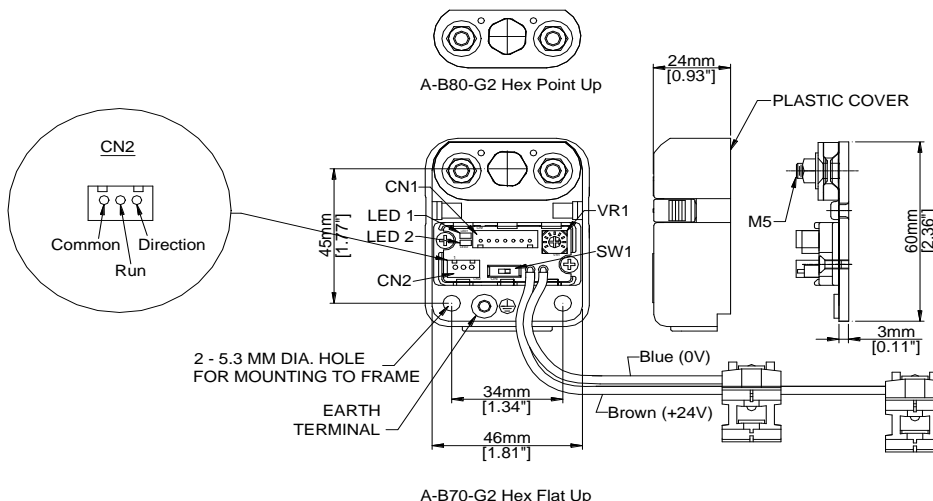
Standard		10 Speed Settings				Current (A)		
Gear Stage	Speed Code	No-load (FPM)		Tangential Force (lb) Starting	Torque (lb-in) Starting	At highest speed		
		9.5 V High	0.5 V Low			Starting	No-Load	Rated
3	17	55.4	6.9	78.1	74.6	4.0	0.4	2.0
2	30	93.2	11.8	53.3	51.0			
	60	196.8	24.6	25.2	24.2			
1	100	331.6	41.3	17.3	16.5			

A-B70 & A-B80 Terminal Block

- I/O terminal on mounting bracket
- Built in 10kΩ resistor for speed variation
- Speed adjustable from 12.5% to 100%
- Reverse direction by slide switch

- Green LED indication for 24V DC power
- Red LED indication for motor error
- 24V DC is supplied using cable splice connectors
- RUN and DIR inputs from any 24V DC switching source

*Note: "C007" (70mm) power cable option is required for use with this terminal block



To view card wiring diagrams and more information please visit www.itohdenki.com

Minimum Tube Lengths and Options



With spring loaded shaft

When ordering error output signal type must be specified:

Option Signal type

NN - NPN error output

Example: PM486XP-60-366-D-024-**NN**

NP - PNP error output

Non Grooved Tube



Gear Stages

1	2	3
282mm (11.10")	310mm (12.20")	332mm (13.07")

Gear Stages

1	2	3
334mm (13.15")	362mm (14.25")	385mm (15.16")



Laggings

Wide range of rubber laggings available



VP or VG pulley end cap

282mm (11.10")	310mm (12.20")	332mm (13.07")

VP - Between Frame -35mm = Tube length

VG - Between Frame -41mm = Tube length