

# PM486BS AC Motor Driven Roller

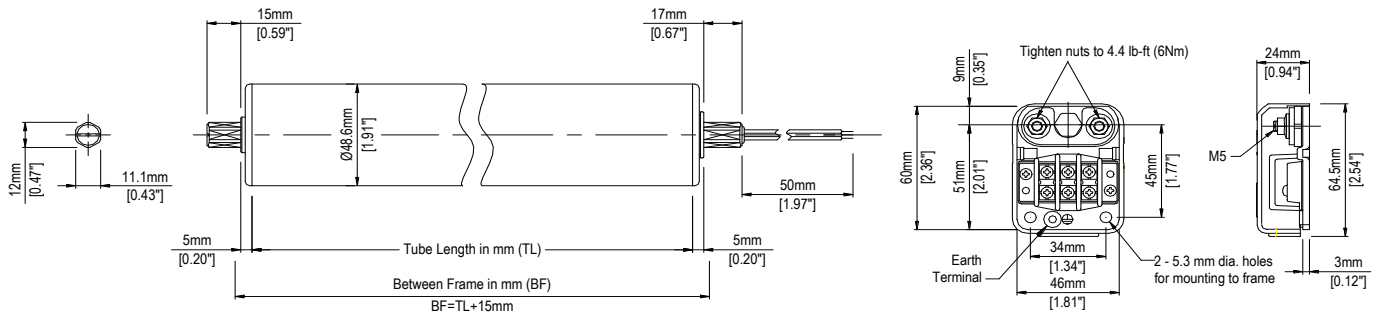


Diameter: 1.91" (48.6mm)  
 Voltage: 115 V Single Phase  
 230 V Three Phase

## Features

- Thermally stable motor that can be operated 24/7 without fear of overheating
- ABEC 1 Bearings
- DOM, zinc plated, carbon steel tube
- Designed for medium to heavy load conveyors

## Dimensions



## Performance Data

Mounting Hardware: A-270-GS (Hex Flat up) Terminal Block  
 [A-280-GS (Hex Point Up) also available]

3Φ 230V 60Hz						
Speed Code	No-Load Speed (ft/min)	Tangential Force Starting (lb)	Torque Starting (lb-in)	Current (A)		
				No-Load	Rated	Starting
5	16.4	17.2	16.5	0.06	0.06	0.08
10	33.8	9.9	9.5	0.06	0.06	0.08
15	53.5	6.3	6.0	0.06	0.06	0.08
20	67.9	6.0	5.8	0.04	0.04	0.09
30	107.0	3.8	3.6	0.04	0.04	0.09
40	130.2	3.1	3.0	0.04	0.04	0.09
50	170.2	2.4	2.3	0.04	0.04	0.09
1Φ 115V 60Hz						
Speed Code	No-Load Speed (ft/min)	Tangential Force Starting (lb)	Torque Starting (lb-in)	Current (A)		
				No-Load	Rated	Starting
5	16.4	7.6	7.3	0.13	0.15	0.17
10	33.8	4.5	4.3	0.13	0.15	0.17
15	53.5	2.9	2.7	0.13	0.15	0.17
20	67.9	3.1	2.9	0.11	0.17	0.30
30	107.0	1.9	1.9	0.11	0.17	0.30
40	130.2	1.6	1.5	0.11	0.17	0.30
50	170.2	1.2	1.2	0.11	0.17	0.30

## Environment

- Ambient Temperature 14~104° F (-10~40°C)
- < 90% Relative Humidity (No Condensation)
- No Corrosive Gases
- Vibration < 0.5G

## Operation

- Cycle: 3s ON; 2s OFF
- Continuous or Intermittent duty
- Do Not Exceed 150% of No-Load Speed

## Minimum Tube Lengths and Options

- ◀◀ MIN ▶▶ Without spring loaded shaft
- ◀▶◻ With spring loaded shaft
- Non Grooved Tube
- ◀◀ MIN ▶▶ 200 mm (7.87") ◀▶◻ 250 mm (9.84")

- Lagging  
Wide range of rubber laggings available
- P2 Double grooved tube (50/32)  
◀◀ MIN ▶▶ ◀▶◻ 315 mm (12.40")
- VP V-Belt pulley end cap  
◀▶◻ 250 mm (9.84")

- BR Brake  
◀◀ MIN ▶▶ 250 mm (9.84") ◀▶◻ 300 mm (11.81")
- DR Drip proof IP-55  
◀◀ MIN ▶▶ 200 mm (7.87") ◀▶◻ 250 mm (9.84")
- WA Waterproof IP-65  
◀◀ MIN ▶▶ 260 mm (10.24") ◀▶◻ 260 mm (10.24")