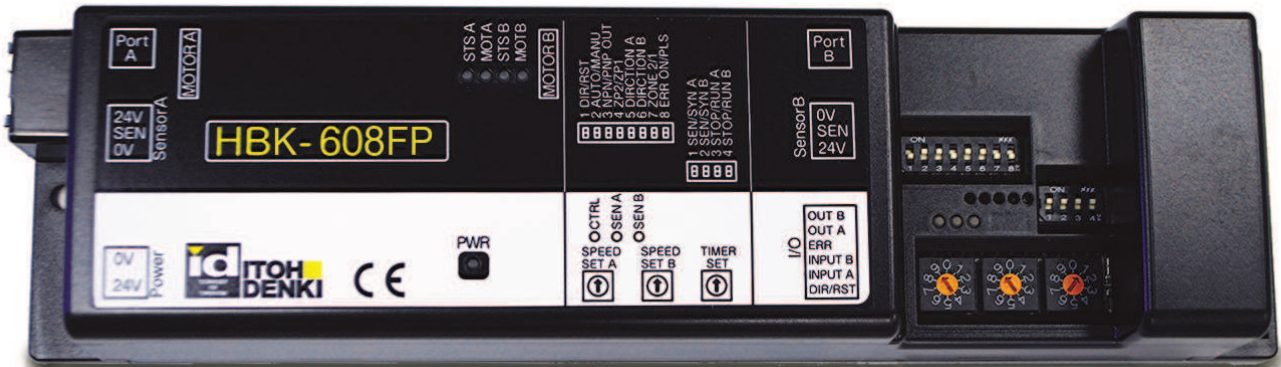


HBK-608FN/P Technical Document



General Features

- Operates FH and KT series motors
 - 12 pin motor connector only
- Runs one or two Power Mollers in one or two zone configurations
- LED indications for operation and error statuses
- Automatic or manual recovery for error statuses
- Motor protection against overheating, stall condition and overspeeding
- Lead free design for RoHS conformity
- Logic for general zero pressure accumulation (ZPA) is built-in
 - Singulated release
 - Slug (train) release with Flexible Zone Recognition (patented)
- Direct connection for two photo-sensors for power and signal
- Easy connection between adjacent HBK-608F's with communication cables simplifies wiring
- Independent speed control for each motor
- Adjustable timers by rotary switch
- Automatically detects the end of a conveyor line for accumulation when the communication cable is disconnected
- Stable speed function to ensure that different weight articles travel at the same rate
- Enclosure is made from fire resistant ABS

Specifications subject to change without notice

ITO DENKI USA, INC
 135 Stewart Road
 Hanover Industrial Estates
 Wilkes-Barre, PA 18706-1462

PH: 570-820-8811
 FX: 570-820-8838

rev15-0528

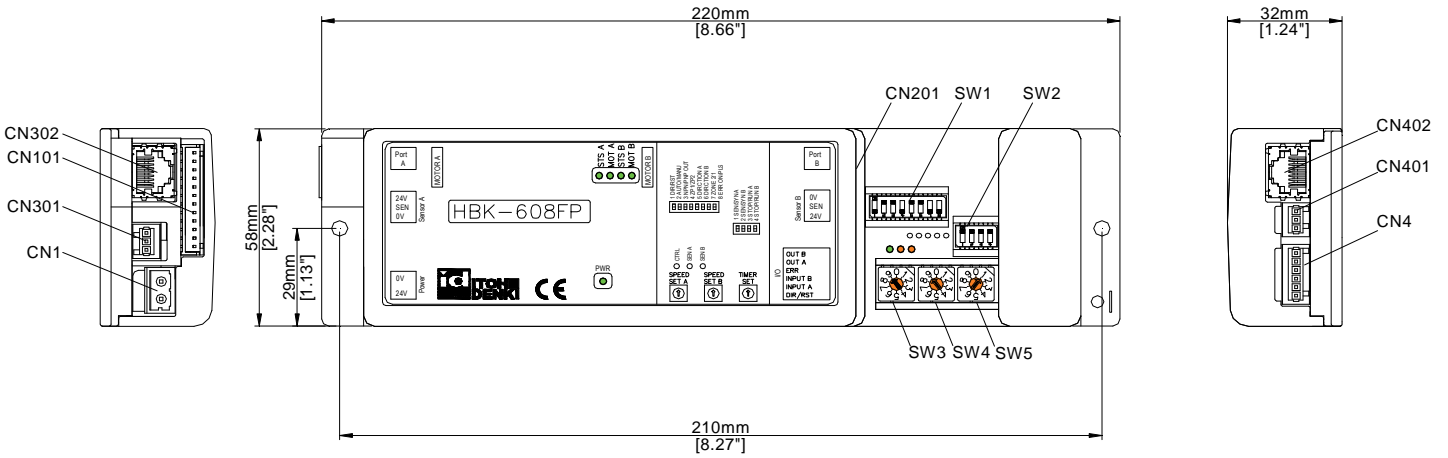
Page 1 of 26

Table of Contents

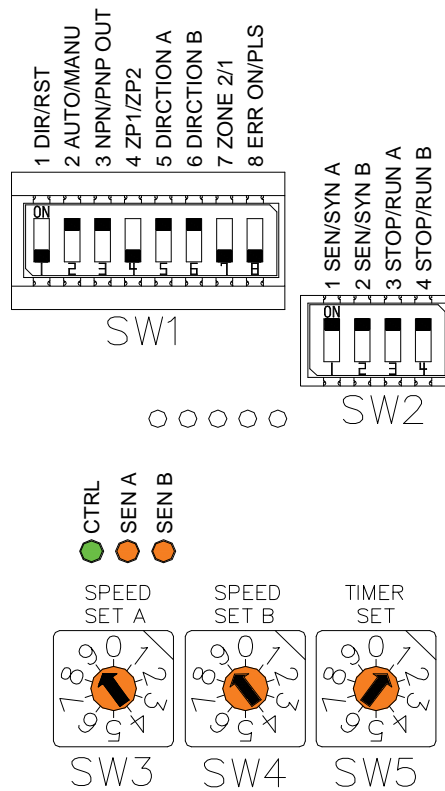
Subject	Page
Features	1
General Features	1
Table of Contents	2
General Information	3
Dimensions	3
User Interface	3
Standard Conveyor Configuration	3
Connections	4
Installation Precautions	8
Please read before installation	
Switch Settings	10
Input/Output Settings	10
Speed Settings	13
Timer Settings	14
Other Settings	15
PNP / NPN Settings	15
LED and Error Indications	16
Conveyor Zone Configuration	20
Standard Zone	20
Infeed Zone	21
Discharge Zone	22
Single Zone One MDR	23
Single Zone Two MDR	24
Handshake signals HBK to IB-E	25
Revision History	26

Specifications subject to change without notice

General Information Dimensions



User Interface – Default Settings



Specifications subject to change without notice

ITO DENKI USA, INC
 135 Stewart Road
 Hanover Industrial Estates
 Wilkes-Barre, PA 18706-1462

PH: 570-820-8811
 FX: 570-820-8838

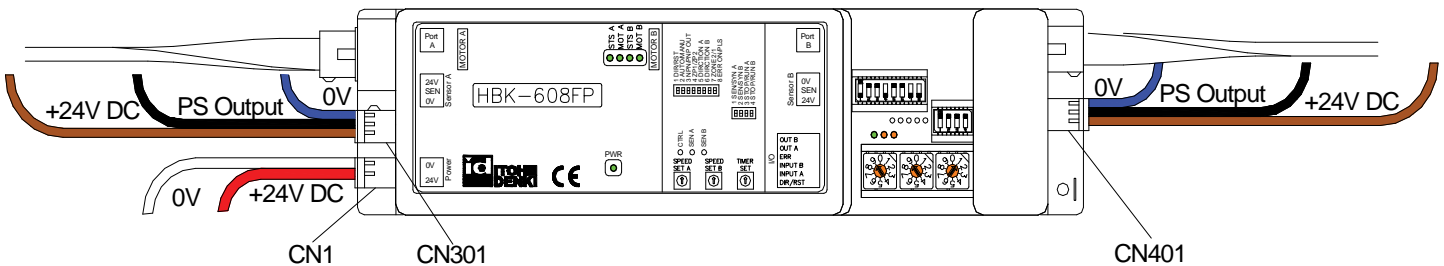
rev15-0528
 Page 3 of 26

Connections

CN1 2 PIN connector for Power		Female Connector for Wiring WAGO #231-302 / 026-000	
PIN	Description		Wire size 28~14AWG
1	+24V DC $\pm 10\%$ (full-wave rectified, smoothed current < 10% ripple)		
2	0V		

CN4 (Ordered Separately) 6 PIN connector for External Control		Female Connector for Wiring WAGO #733-106	
PIN	Description		Wire size: 28~20AWG
1	Direction or error reset (selectable on SW1-1)		
2	Motor A forcible run or stop (selectable on SW2-3)		
3	Motor B forcible run or stop (selectable on SW2-4)		
4	Error output (selectable output on SW1-6 for steady voltage or pulsed signal)		
6	Motor B synchronization or sensor output (selectable on SW2-2)		

CN301, CN401 3 PIN connector for Photo Sensor		Female Connector for Wiring WAGO #733-103	
PIN	Description		Wire size: 28~20AWG
1	+24V DC		
2	+24V or 0V DC input (sensor signal input)		
3	0V		

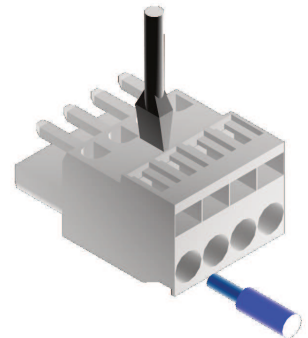


Connection Instructions for CN1, CN4, CN301 & CN401

Press down spring clamp in connector with a small screwdriver.

Insert leads in proper order.
(Lead should be stripped approx: 0.31~0.35")

WAGO connector must be inserted and/or pulled out carefully, so as not to damage other parts.



Specifications subject to change without notice

Connections (continued)

Input / Output settings CN4

CN4-1 – Direction / Error reset (selectable by SW1-1; see page 11)

- Direction input (SW1-1; OFF) [Default]
 - Reverses the logic flow and motor direction while the input is active. Logic flow is independent of motor direction.
 - This signal is shared through the communication cable.
- Error reset input (SW1-1; ON)
 - Resets error conditions at the time the signal is input only when the card is in operational condition and causes of errors have been removed. This signal is shared through the communication cable.
 -

CN4-2 – Input A (selectable by SW2-3; see page 12)

- Forcible run motor A input (SW2-3; ON) [Default]
 - Forcibly runs motor A while signal is active
- Forcible stop motor A input (SW2-3; OFF)
 - Forcibly stops motor A when sensor A becomes blocked while signal is active

CN4-3 – Input B (selectable by SW2-4; see page 12)

- Forcible run motor B input (SW2-3; ON) [Default]
 - Forcibly runs motor A while signal is active
- Forcible stop motor B input (SW2-3; OFF)
 - Forcibly stops motor B when sensor B becomes blocked while signal is active

CN4-4 – Error output (selectable by SW1-8; see page 11)

- Pulsed output (PLS; ON)
 - Used when connecting the error output to an IB-E03 / 04 remote input 1 (CN301-1 on IB-E series)
 - PNP pulse with SW2-3 ON
 - NPN pulse with SW2-3 OFF
- Output signal (ERR ON; OFF) [Default]
 - Outputs a signal when an error occurs
 - PNP signal with SW2-3 ON
 - NPN signal with SW2-3 OFF

CN4-5 – Output A (selectable by SW2-1; see page 12)

- Synchronous output (SYN A; SW2-1 ON) [Default]
 - Outputs a signal on CN4-5 when motor A runs
- Sensor output (SEN A; SW2-1 OFF)
 - Outputs a signal on CN4-5 when sensor A is blocked

CN4-6 – Output B (selectable by SW2-2; see page 12)

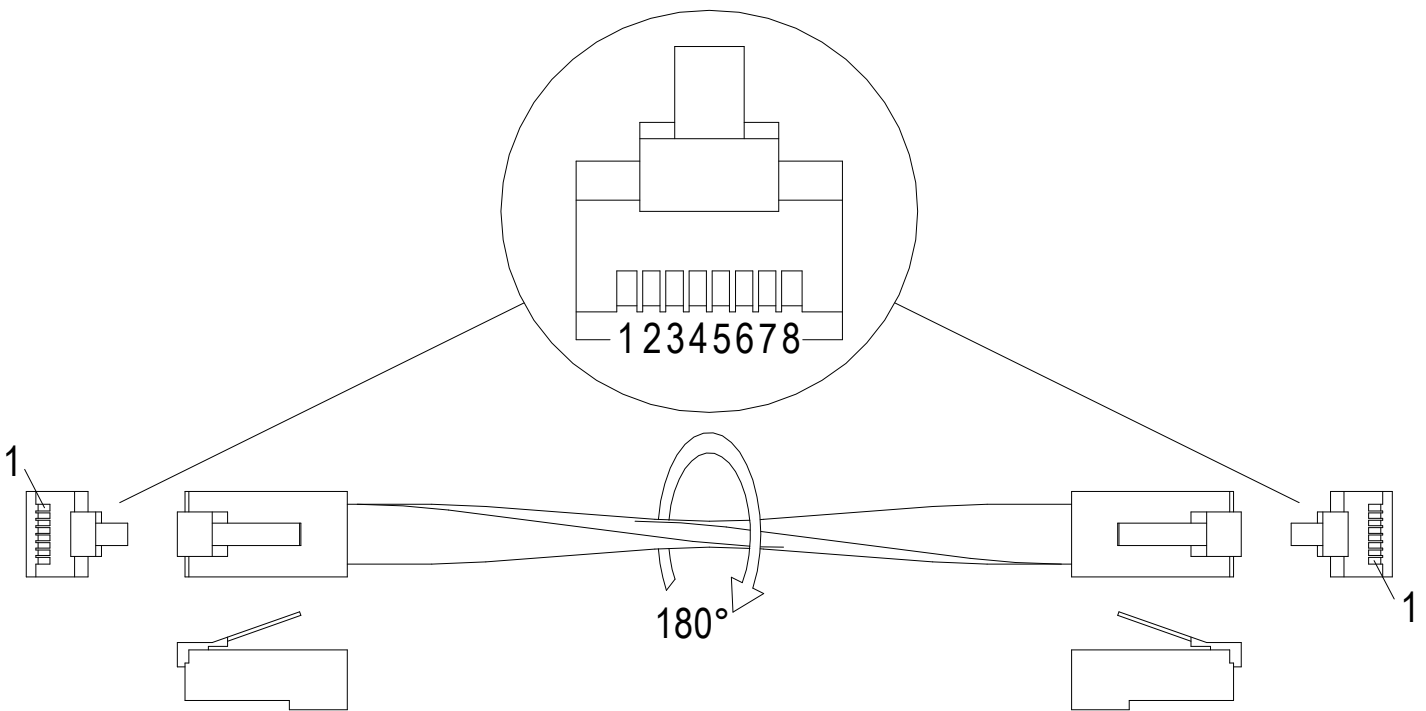
- Synchronous output (SYN B; SW2-1 ON) [Default]
 - Outputs a signal on CN4-6 when motor B runs
- Sensor output (SEN B; SW2-1 OFF)
 - Outputs a signal on CN4-6 when sensor B is blocked

Specifications subject to change without notice

Connections (continued)

CN302 & CN402 8 PIN connector for Communication Cable		Female Connector for Wiring RJ-45
CN302 & CN402	Description	
1	Error status	Wire size: 26AWG or Equivalent 8 wire cable
2	Error status	
3	Motor status	
4	Motor status	
5	Error reset and direction	
6	0V DC	
7	Sensor status	
8	Sensor status	

Communication Cable – Straight-through wiring (Not crossover)



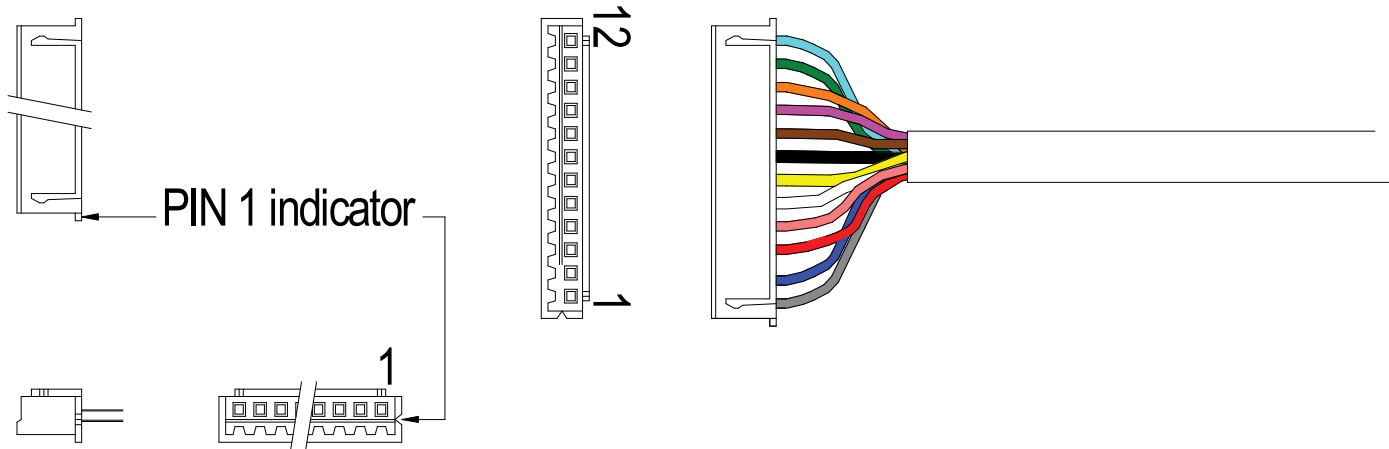
Specifications subject to change without notice

Connections (continued)

12 PIN connector for Motor		Male Connector on Card JST #S12B-XH-A	Female Connector for Wiring JST #XHP-12
PIN	Description		
1	GND – Grey		
2	+12V DC – Blue		
3	Motor phase U – Red		
4	Motor phase U – Pink		
5	Motor phase V – White		
6	Motor phase V – Yellow		
7	Motor phase W – Black		
8	Motor phase W – Brown		
9	Hall sensor U - Violet		
10	Hall sensor V – Orange		
11	Hall sensor W – Green		
12	Thermistor – Light Blue		

Wire size:
28~22AWG
&
24~22AWG motor phases

Terminal pins:
JST #SXH-001T-P0.6



Specifications subject to change without notice



Installation Precautions – IMPORTANT, PLEASE READ BEFORE INSTALLATION

Precaution	Action	Reason
Sensor	Use a sensor that would have an active output when the zone is occupied Example: A retro-reflective photo-sensor would need to be dark-operate	The HBK responds to the active signal received from the sensor to denote zone occupation. If the incorrect type is used, the HBK would “think” that a zone is occupied when it is really clear. Not only would there be problems in ZPA logic operation, but there will also be JAM errors appearing.
Restarting the system after applying ESTOP signal	Make sure transported articles are not between photo-sensors.	Any article between photo-sensors will not be recognized as occupying a zone. Therefore any upstream articles being transported may collide into them.
Powering ON	Keep away from the system when it is first powered ON.	When the system is first powered ON and there is no signal from the photo-sensor for presence of an article, the zone will RUN for a short time at a slow speed to receive or advance any articles which may be between photo-sensors. There may be a risk for bodily injury because of moving rollers and transported articles.
	Using as a slave card be sure the timer switch SW5 to zero (0) for slave mode	This eliminates all timer functions and communication. Roller(s) will not run on initial start up in slave mode
Correct cables	RJ-45 connectors 8-wire cables Straight-through wiring pattern	Straight-through wiring means that the connectors on both ends of the cable are wired in the exact same pattern. Cross-over wiring or any other wiring pattern will cause communication problems.
Low impedance connection to PNP output(s)	DO NOT connect an output terminal (CN2-4, CN2-5) set for PNP directly to 0V, GND, or a low impedance input on a controller.	When the PNP signal is active, the low impedance input will draw a high current and subsequently damage the output circuit. Damage may also occur to the input circuit on the controller.
Multiple power supplies	0V line of all power supplies on the same conveyor line (powering the card/rollers, & controls) need to be physically linked together.	This completes the signal path from one section of the conveyor (powered by a power supply) to the adjacent section of conveyor (powered by another power supply) and allows for proper communication through the cable and external interfaces.

Specifications subject to change without notice



Installation Precautions (continued)

Precaution	Action	Reason
Voltage drop across the power bus	Use suitable gauge wire in relation to distance and current draw to prevent voltage drop. Operating DC voltage is 24V ±10%	When running long distances from a DC power supply, the voltage drop during motor operation across the power bus may be significant (may drop below 15V!). If there is a large enough drop in voltage, the roller(s) may behave in a strange manner. In order to prevent this, a larger gauge wire must be used.
Grounding	The conveyor frame should be at the same potential reference as earth ground. Standard grounding practices should be followed.	Static discharge may interfere with general logic processing, and in possibly damage IC components on the circuit board. The grounding screw ensures proper contact against the grounded metal frame. If a grounded frame is not available to mount against, a ground wire can be attached.
Environment	Ambient temperature is 32~104°F Ambient humidity is < 90%RH Atmosphere has no corrosive gas Vibration is < 0.5G Indoor use only	Extreme environmental variables may cause poor or no performance and damage the card.
Over-speeding	Over-speeding of the roller's no-load speed by more than 50% may cause damage.	Back EMF will be generated.
Electrical	24V DC ±10% 7A maximum current limiter (motor lock is 7A) Diode protection for miss-wiring Sensor power short circuit protection 10A fuse per motor driver for power supply protection	Improper power will damage the card. The motor/card should not be subject to locked conditions repeatedly. Internal fuse is not replaceable. If the fuse has blown, more serious damage has occurred within the card/motor.

Specifications subject to change without notice

ITO DENKI USA, INC
135 Stewart Road
Hanover Industrial Estates
Wilkes-Barre, PA 18706-1462

PH: 570-820-8811
FX: 570-820-8838

rev15-0528

Page 9 of 26

Switch Settings

Input / Output Settings SW1

DIP Switch	Function	ON	OFF	Default Setting
1-1	Error Reset or Direction input	Error reset	Direction	OFF
1-2	Error recovery	Manual	Automatic	ON
1-3	PNP or NPN output	PNP	NPN	ON HBK-608FP OFF HBK-608FN
1-4	ZPA release mode	Train / Slug	Singulated	OFF
1-5	Motor A direction	Based on MDR type	Based on MDR type	ON
1-6	Motor B direction	Based on MDR type	Based on MDR type	ON
1-7	Zone count	One zone	Two zones	OFF
1-8	Error output function	Pulsed	Signal when error occurs	OFF

DIP switch 1-1 – Error Reset or Direction

- Error Reset (RST; ON)
 - When the signal is applied then removed it resets an error(s) on all cards connected by communication cables
- Direction (DIR; OFF) [Default]
 - Reverses the logic and motor direction while signal is applied to all cards connected by communication cables
 - SW 1-5 and 1-6 only change motor direction and do not change logic direction
- If both signals need to be used
 - Set DIP switch 1-1 ON for one card and input the RST signal to CN4-1 on the same card
 - Set DIP switch 1-1 OFF for another card and input the DIR signal to CN4-1 on the same card

DIP switch 1-2 – Error recovery

- Manual recovery (MANU; ON) [Default]
 - Some form of user intervention is needed to reset if the card is in thermal protection
 - The temperature of the motor or card must be in operating range in order for the recovery to work
 - Remove power (CN1) to the card, then reapply – most likely case
 - Input then remove a signal to CN4-1 and have DIP switch 1-1 set ON for Error Reset (RST)
 - This will send an error reset signal through all cards connected by communication cables
 - Input a signal to CN4-2 and have DIP switch 2-3 set ON for forcible run for errors on motor A
 - This will reset errors for motor A
 - Input a signal to CN4-3 and have DIP switch 2-4 set ON for forcible run for errors on motor B
 - This will reset errors for motor B
- Automatic recovery (AUTO; OFF)
 - The card will automatically reset the thermal protection once it or the motor has cooled to operating temperature.
 - This will also reset a low voltage error once the voltage becomes stable

DIP switch 1-3 – Output signal type for both CN4-5 (OUT A) & CN4-6 (OUT B)

- PNP (ON) [Default on HBK-608FP]
 - When active the output will be +24V DC
 - Do not connect to a low impedance input, 0V, or GND
- NPN (OFF) [Default on HBK-608FN]
 - When active the output will be 0V DC

Specifications subject to change without notice

Input/Output Settings SW1 (continued)

DIP switch 1-4 – Release modes [Default OFF]

- ZP2 (OFF) – In singulated release mode (assuming accumulated conveyor) each zone will advance when its downstream zone is unoccupied
- ZP1 (ON) – In train/slug release mode (assuming accumulated conveyor) all zones will advance in unison

DIP switches 1-5 and 1-6 - Motor Direction

DIP Switch	Function	ON		OFF		Default Setting
		KT	FH	KT	FH	
1-5	Motor A direction*	CCW	CW	CW	CCW	ON
		KT	FH	KT	FH	
1-6	Motor B direction*	CCW	CW	CW	CCW	ON
		KT	FH	KT	FH	

* Motor direction (as viewed from the cable side) is independent of ZPA logic flow direction. Direction also changes with DIP switch 1-1 OFF and signal input to CN4-1.

DIP switch 1-7 – Zone Count

- 1 Zone on a card (ZONE 1; ON)
 - Connect motor to CN101 Motor A and sensor to CN301 sensor A
 - When using one motor per zone set SW2-4 to OFF
 - When using two motors per zone set SW2-4 to ON
- 2 Zones on one card (ZONE 2; OFF) [Default]
 - Utilizes both motor ports and sensor ports for two individual zones

DIP switch 1-8 – Error output function

- Pulsed output (PLS; ON)
 - Used when connecting the error output to an IB-E03 / 04 remote input 1 (CN301-1 on IB-E series)
- Output signal (ERR ON; OFF) [Default]
 - Outputs a signal when an error occurs
 - PNP signal with SW2-3 ON
 - NPN signal with SW2-3 OFF

Specifications subject to change without notice

Input / Output Settings SW2

DIP Switch	Function	ON	OFF	Default Setting
2-1	Sensor A or Motor A synchronous	Synchronization signal	Sensor signal	ON
2-2	Sensor B or Motor B synchronous	Synchronization signal	Sensor signal	ON
2-3	Motor A input function	Forcible run	Forcible stop	ON
2-4	Motor B input function	Forcible run	Forcible stop	ON

DIP switch 2-1 – Sensor A or Motor A synchronous output

- Synchronous output (SYN A; ON) [Default]
 - Outputs a signal on CN4-5 when motor A runs
- Sensor output (SEN A; OFF)
 - Outputs a signal on CN4-5 when sensor A is blocked

DIP switch 2-2 – Sensor B or Motor B synchronous output

- Synchronous output (SYN B; ON) [Default]
 - Outputs a signal on CN4-6 when motor B runs
- Sensor output (SEN B; OFF)
 - Outputs a signal on CN4-6 when sensor B is blocked

DIP switch 2-3 – Motor A input function

- Forcible STOP (OFF)
 - Prevents an article from advancing downstream once motor A's zone (while receiving the signal) becomes occupied
- Forcible RUN (ON) [Default]
 - Forces motor A's zone to RUN
 - This setting overrides accumulation logic
 - RUN Hold timer (SW5) has been added to this input and alleviates the need of an external controller/timer with an infeed photo-sensor. Therefore, once an article clears the photo-sensor connected to this input (CN4-5), zone A will continue to operate and allow the article to reach the next zone's photo-sensor.

DIP switch 2-4 – Motor B input function

- Forcible STOP (OFF)
 - Prevents an article from advancing downstream once motor B's zone (while receiving the signal) becomes occupied
- Forcible RUN (ON) [Default]
 - Forces motor B's zone to RUN
 - This setting overrides accumulation logic
 - RUN Hold timer (SW5) has been added to this input and alleviates the need of an external controller/timer with an infeed photo-sensor. Therefore, once an article clears the photo-sensor connected to this input (CN4-5), zone B will continue to operate and allow the article to reach the next zone's photo-sensor.

Specifications subject to change without notice

Speed Adjustment

Rotary switch SW3 – 10 step speed setting for Motor A

- Used to vary the speed on motor A

Rotary switch SW4 – 10 step speed setting for Motor B

- Used to vary the speed on motor B

PM635KT-16

Rotary Switch (SW3 & SW4)	Speed*	
	m/min $\pm 3\%$	ft/min $\pm 3\%$
9	18.0	59.1
8	16.6	54.5
7	15.0	49.2
6	13.6	44.6
5	12.0	39.4
4	10.6	34.8
3	9.0	29.5
2	7.6	24.9
1	6.0	19.7
0	4.6	15.1

* Card controls speed through motor RPM feedback.

- Roller surface speed is dependent on a combination of motor RPM, gear-staging, and roller diameter
- This table is based on a PM635KT-16 roller which has 3 stage gearing, a 2.5" diameter tube, and motor RPM which is adjustable through the entire selectable range
- If a motor is a slower speed, and all other factors remain the same, any settings above the motor's top speed will have no effect
 - For example: PM486FH-20 will reach its maximum speed at setting 2. Any higher settings (3-9) will have no effect on its speed

Specifications subject to change without notice

Timer Settings

Rotary switch SW5 – 10 step timer setting for both motors

- Used to vary timer settings for the run hold timer, sensor timer and jam timer

Rotary Switch (SW5)	Time (seconds)	
	Run Hold & Sensor	Jam
9	18	36
8	16	32
7	14	28
6	12	24
5	10	20
4	8	16
3	6	12
2	4	8
1	2	4
0	Slave mode	

Sensor Timer

This timer controls the RUN time of the motor during the zone's infeed operation in the ZPA system

- Present zone must receive signals through the communication cable from the upstream zone to function
- Present zone will RUN when
 - Present zone's photo-sensor is clear
 - Upstream zone's photo-sensor becomes blocked
 - Also, it sends a RUN signal to the present zone
- Sensor Timer starts when
 - Present zone is running due to the condition above
 - AND the upstream zone's photo-sensor becomes clear
 - If a jam occurs in the upstream zone
 - Sensor Timer never starts
 - Present zone will stop when upstream zone's Jam Timer reaches set time
- Sensor Timer will STOP the present zone when
 - Present zone is running and its photo-sensor remains clear
 - AND Sensor Timer reaches the set time
- Sensor Timer is RESET when
 - It reaches the set time
 - Present zone's photo-sensor becomes blocked
 - Upstream zone's photo-sensor becomes blocked again

Run Hold Timer

This timer controls the RUN time of the motor during the zone's discharge operation in the ZPA system

- Present zone will RUN when
 - Present zone's photo-sensor is blocked
 - Downstream zone's photo-sensor is clear
 - This also applies if there is no downstream zone connected
- Run Hold Timer starts when
 - Present zone is running and its photo-sensor becomes clear
- Run Hold Timer will STOP the present zone when
 - Present zone is running and its photo-sensor remains clear
 - AND Run Hold Timer reaches the set time

Specifications subject to change without notice

Timer Settings (continued)

- Run hold Timer is RESET when
 - It reaches the set time
 - Present zone's photo-sensor becomes blocked
 - Upstream zone's photo-sensor becomes blocked

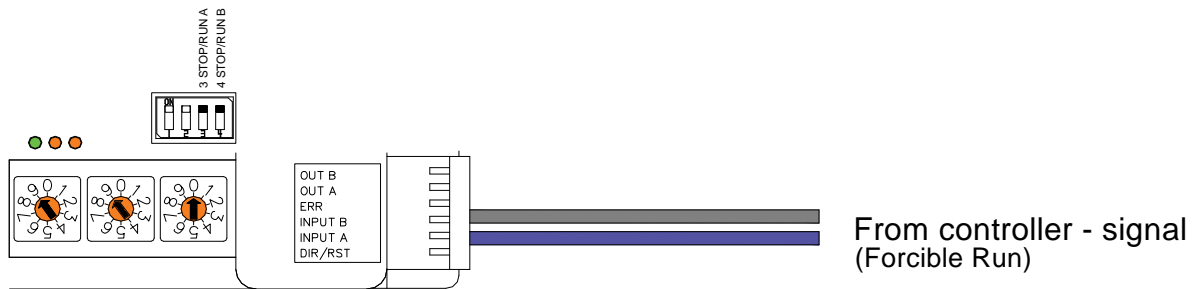
Jam Timer

This timer controls the RUN time of the motor during the zone's running operation in the ZPA system

- Jam Timer starts when
 - Present zone is running and its photo-sensor becomes blocked
- Jam Timer will STOP the present zone when
 - Present zone is running and its photo-sensor remains blocked
 - AND Jam Timer reaches the set time
- Jam Timer is RESET when
 - Present zone's photo-sensor becomes clear
 - Downstream zone's photo-sensor becomes blocked
- Initial startup seek to sensor time is the same as the jam timer value. ZPA will not begin until this time expires.

Other Settings

Slave Mode



This setting is used when the HBK-608 is used as a driver / slave card

- Motor runs when a signal is present on CN4 and stops when the signal is removed
 - SW5 must be set to zero (0)
 - SW2-3 set to ON and signal input to CN4-2 to run motor A
 - SW2-4 set to ON and signal input to CN4-3 to run motor B

PNP / NPN inputs

The card(s) are ordered with the inputs preset from the factory – ALL PNP or ALL NPN. The model designation will show the factory preset.

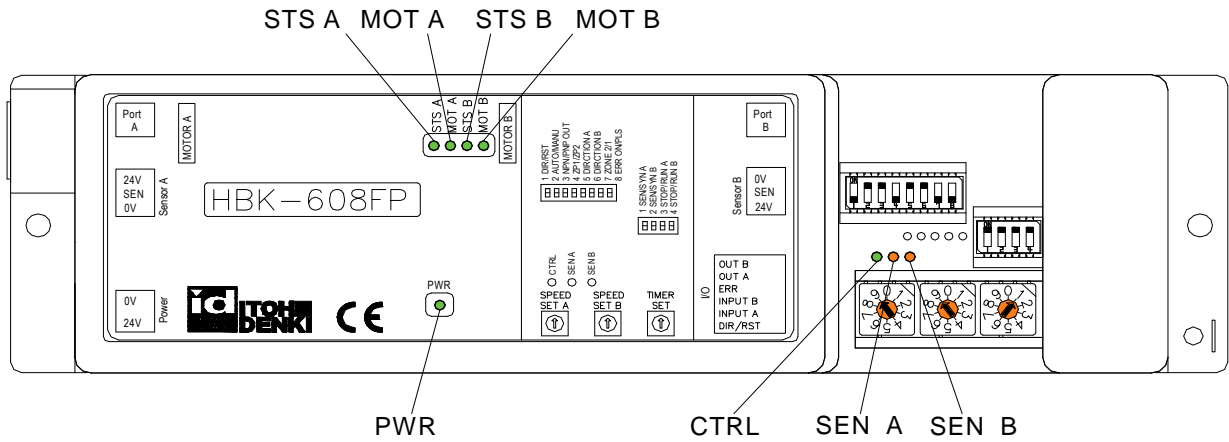
- **HBK-608FP – PNP input type**
- **HBK-608FN – NPN input type**

Note –signal type for all outputs can be manually switched in the field by **DIP switch 1-3**. When the signal is not active, there is no voltage present

- NPN (OFF) – when active the output will be 0V DC
- PNP (ON) – when active the output will be +24V DC

Specifications subject to change without notice

LEDs and Error Indications



LED	Green	Orange	Red	ERR Signal (CN2-5)	Cause	Effect	Solution*
PWR Main power	● (ON)	-	-	○ (OFF)	24 V DC supplied	Normal	-
	○ (OFF)	-	-	○ (OFF)	No Power	No operation	Supply 24 V power
MOTA Motor A	● (ON)	-	-	○ (OFF)	Operational	Normal	-
	○ (OFF)	-	-	○ (OFF)	Not used	No operation	-
MOTB Motor B	● (ON)	-	-	○ (OFF)	Operational	Normal	-
	○ (OFF)	-	-	○ (OFF)	Not used	No operation	-

Specifications subject to change without notice

ITO DENKI USA, INC
 135 Stewart Road
 Hanover Industrial Estates
 Wilkes-Barre, PA 18706-1462

PH: 570-820-8811
 FX: 570-820-8838

rev15-0528
 Page 16 of 26

LEDs and Error Indications (Continued)

LED	Green	Orange	Red	ERR Signal (CN2-5)	Cause	Effect	Solution*
STS A	○ (OFF)	-	○ (OFF)	○ (OFF)	Not told to run	Normal	-
	● (ON)	-	○ (OFF)	○ (OFF)	Told to run	Normal	-
	○ (OFF)	-	Blinks (6Hz) ●●●●●○ ●●●●●○	● (ON)	Fuse blown or low voltage	No operation	1
	○ (OFF)	-	Blinks (1Hz) ● ○	● (ON)	Motor is not connected to card	No operation	2
	● (ON)	-	Blinks (1Hz) ● ○	● (ON)	Motor locked ≥ 1s	No operation	3
	○ (OFF)	-	● (ON)	● (ON)	Thermal protection	No operation	4
	● (ON)	-	Blinks (6Hz) ●●○○○○ ●●○○○○	● (ON)	Back EMF	Dynamic brake	5
STS B	○ (OFF)	-	○ (OFF)	○ (OFF)	Not told to run	Normal	-
	● (ON)	-	○ (OFF)	○ (OFF)	Told to run	Normal	-
	○ (OFF)	-	Blinks (6Hz) ●●●●●○ ●●●●●○	● (ON)	Fuse blown or low voltage	No operation	1
	○ (OFF)	-	Blinks (1Hz) ● ○	● (ON)	Motor is not connected to card	No operation	2
	● (ON)	-	Blinks (1Hz) ● ○	● (ON)	Motor locked ≥ 1s	No operation	3
	○ (OFF)	-	● (ON)	● (ON)	Thermal protection	No operation	4
	● (ON)	-	Blinks (6Hz) ●●○○○○ ●●○○○○	● (ON)	Back EMF	Dynamic brake	5

Specifications subject to change without notice

ITO DENKI USA, INC
135 Stewart Road
Hanover Industrial Estates
Wilkes-Barre, PA 18706-1462

LEDs and Error Indications (Continued)

LED	Green	Orange	Red	ERR Signal (CN2-5)	Cause	Effect	Solution*
CTRL Control Power	● (ON)	-	-	-	Power ON	Normal	-
	○ (OFF)	-	-	-	Power OFF	No operation	Apply 24V DC
SEN A Sensor A	-	● (ON) When sensor signal is ON	-	-	Sensor output ON	-	6
	-	○ (OFF)	-	-	Sensor output OFF	-	7
	-	Blinks (1Hz) ● ○	-	● (ON)	Jam error	Motor stops	8
SEN B Sensor B	-	● (ON) When sensor signal is ON	-	-	Sensor output ON	-	6
	-	○ (OFF)	-	-	Sensor output OFF	-	7
	-	Blinks (1Hz) ● ○	-	● (ON)	Jam error	Motor stops	8

* Solution

1. Indicates either a low voltage error or the fuse has blown.

First check that there is a stable +24V DC power. If in manual recovery cycle the power to reset a low voltage error, if in automatic recovery the error will reset once a stable +24V DC is reached. See more information under **Input/Output settings, DIP switch 1-2**.

If the voltage is a stable +24V DC power then the fuse has blown and the card must be replaced.

2. Motor unplugged. Check motor ports to ensure the motor connectors are properly inserted into their respective motor ports. If using only one motor per zone select forcible stop on the motor you are not using. See more information under **Input/Output Settings, DIP switch 2-3 and 2-4**.
3. Motor lock. Remove the cause of the motor lock and clear the zone
A signal applied to CN4-2 for motor A or CN4-3 for motor B with DIP switch 2-3 ON for motor A and DIP switch 2-4 ON for motor B will reset this error. Review **Connections CN4 and Input/output settings, DIP switch 2-3 and 2-4**.
4. Thermal protection. See more information under **Input/Output Settings, DIP switch 1-2**
A signal applied to CN4-2 for motor A or CN4-3 for motor B with DIP switch 2-3 ON for motor A and DIP switch 2-4 ON for motor B will reset this error. Review **Connections CN4 and Input/output settings, DIP switch 2-3 and 2-4**.
 - ◆ Thermal protection can only be reset if the temperature has fallen back into operating range

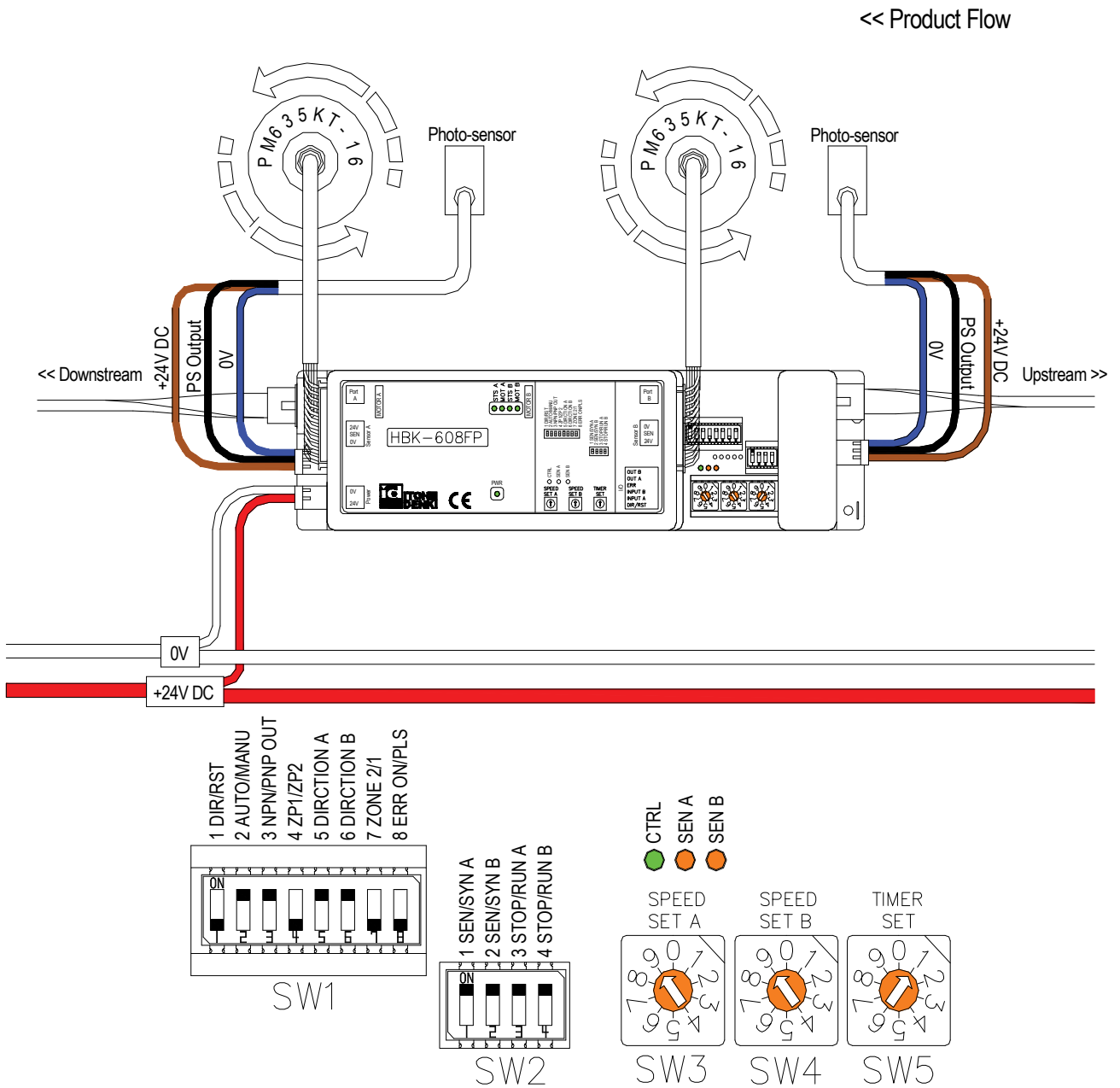
Specifications subject to change without notice

5. Back EMF error. See more information under **Input/output Settings, DIP switch 1-2**. Roller(s) were driven faster than their designed speed and the HBK-608F activates the dynamic brake to slow the product down. In automatic recovery the card returns to normal operation once the voltage decreased to a safe level. In manual recovery a signal applied to CN4-2 for motor A or CN4-3 for motor B with DIP switch 2-3 ON for motor A and DIP switch 2-4 ON for motor B will reset this error. Review **Connections CN4 and Input/output settings, DIP switch 2-3 and 2-4**.
6. Sensor signal ON. Should be on only when the photo sensor is blocked. If it is on when the zone is clear then it is the incorrect type of sensor output and needs to be replaced with one that outputs a signal when it is blocked.
7. Sensor signal OFF. Should be OFF only when the photo sensor's zone is clear. If it is OFF when the sensor is blocked then it is the incorrect type of sensor output and needs to be replaced with one that does output a signal when blocked.
8. Remove the cause of the jam and clear the zone. A signal applied to CN4-2 for motor A or CN4-3 for motor B with DIP switch 2-3 ON for motor A and DIP switch 2-4 ON for motor B will reset this error. Review **Connections CN4 and Input/output settings, DIP switch 2-3 and 2-4**. As long as a run signal is applied a jam error status will not turn ON

Specifications subject to change without notice

Conveyor Zone Configuration

Standard Zone



This configuration (factory set) is the standard set-up for any zone that is not specifically an infeed or discharge zone. Review page 3 for default dip switch settings.

Specifications subject to change without notice

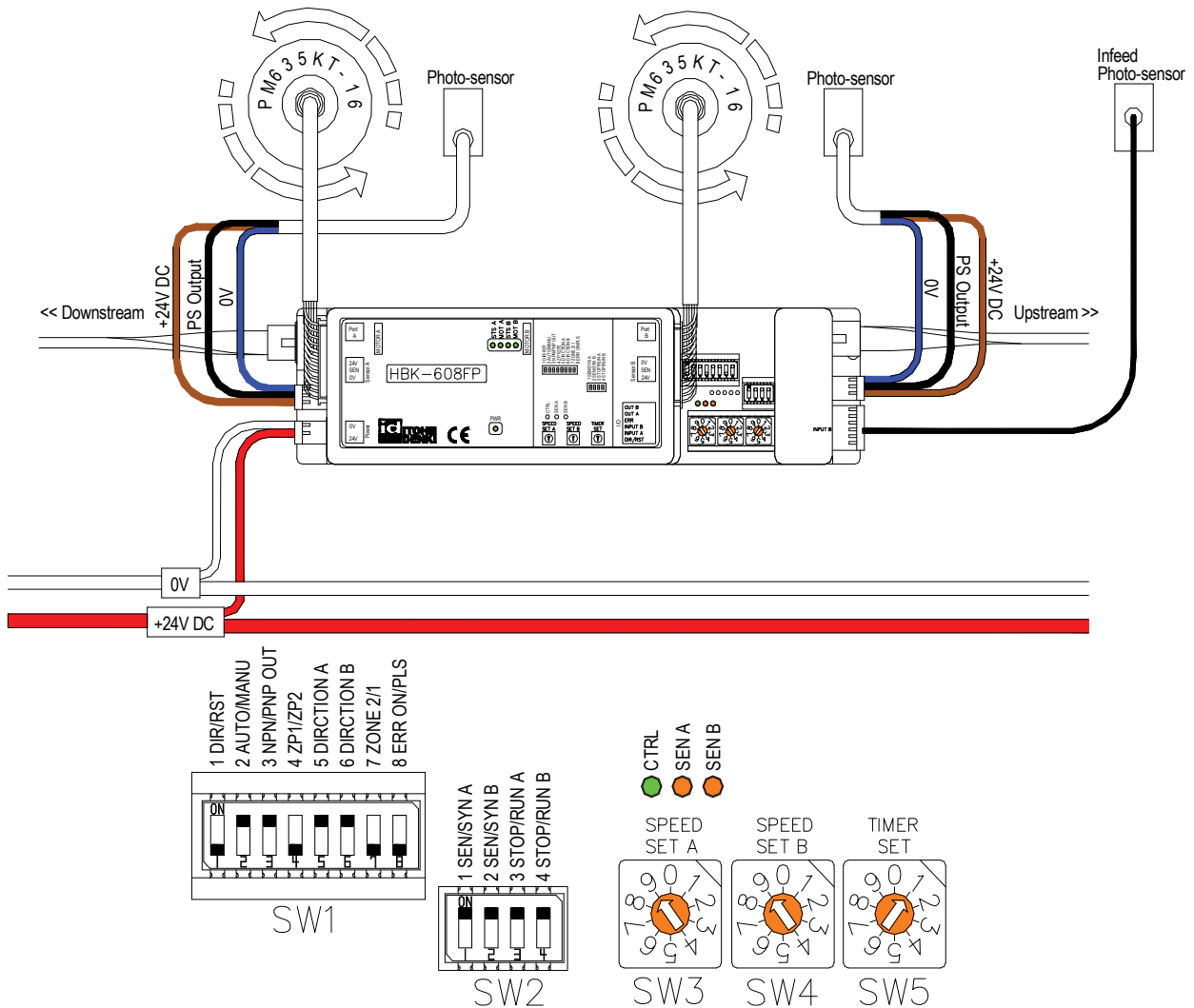
ITOH DENKI USA, INC
135 Stewart Road
Hanover Industrial Estates
Wilkes-Barre, PA 18706-1462

PH: 570-820-8811
FX: 570-820-8838

rev15-0528
Page 20 of 26

Infeed Zone

<< Product Flow



The infeed zone can use 2 photo-sensors

1. Main photo-sensor for motor B
2. Infeed photo-sensor (powered separately)

Set up

- Card is in standard configuration
- Distance between the infeed photo-sensor and the main photo-sensor should be set the same distance that is between all the adjacent zone photo-sensors
- Infeed photo-sensor is powered from the 24V DC bus
- Output from photo-sensor is connected to INPUT CN4-3 with DIP switch 2-4 ON

While the output from the infeed photo eye is active the motor will continue to run regardless of sensor A or B's zone status. The sensor timer is active after the infeed photo eye clears. An external controller may be necessary for specific applications.

Specifications subject to change without notice

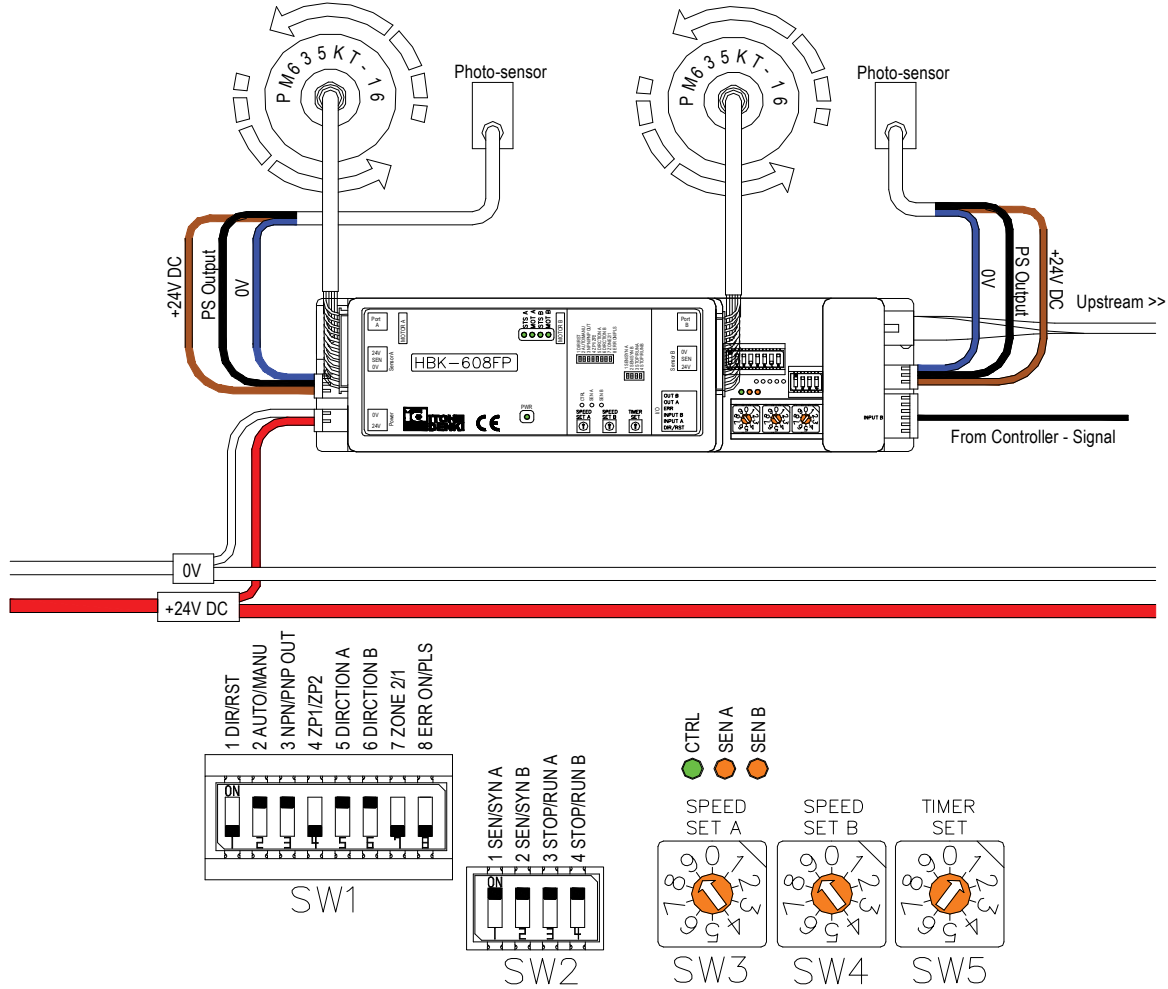
ITO DENKI USA, INC
 135 Stewart Road
 Hanover Industrial Estates
 Wilkes-Barre, PA 18706-1462

PH: 570-820-8811
 FX: 570-820-8838

rev15-0528
 Page 21 of 26

Discharge Zone

The card is in standard orientation.



Discharge zone is applied when an article is to accumulate once it reaches the last HBK zone. Without a communication cable connected to CN301 in the default direction or CN402 when the direction signal is applied to CN4-1, the card automatically accumulates at the last sensor. An external signal from a controller is used only when discharging (force to RUN) of the article is needed.

The signal from the controller will be applied to INPUT CN4-2 in the default product flow direction (shown above). The cards DIP switch 2-3 will be set to ON for Motor A forcible run.

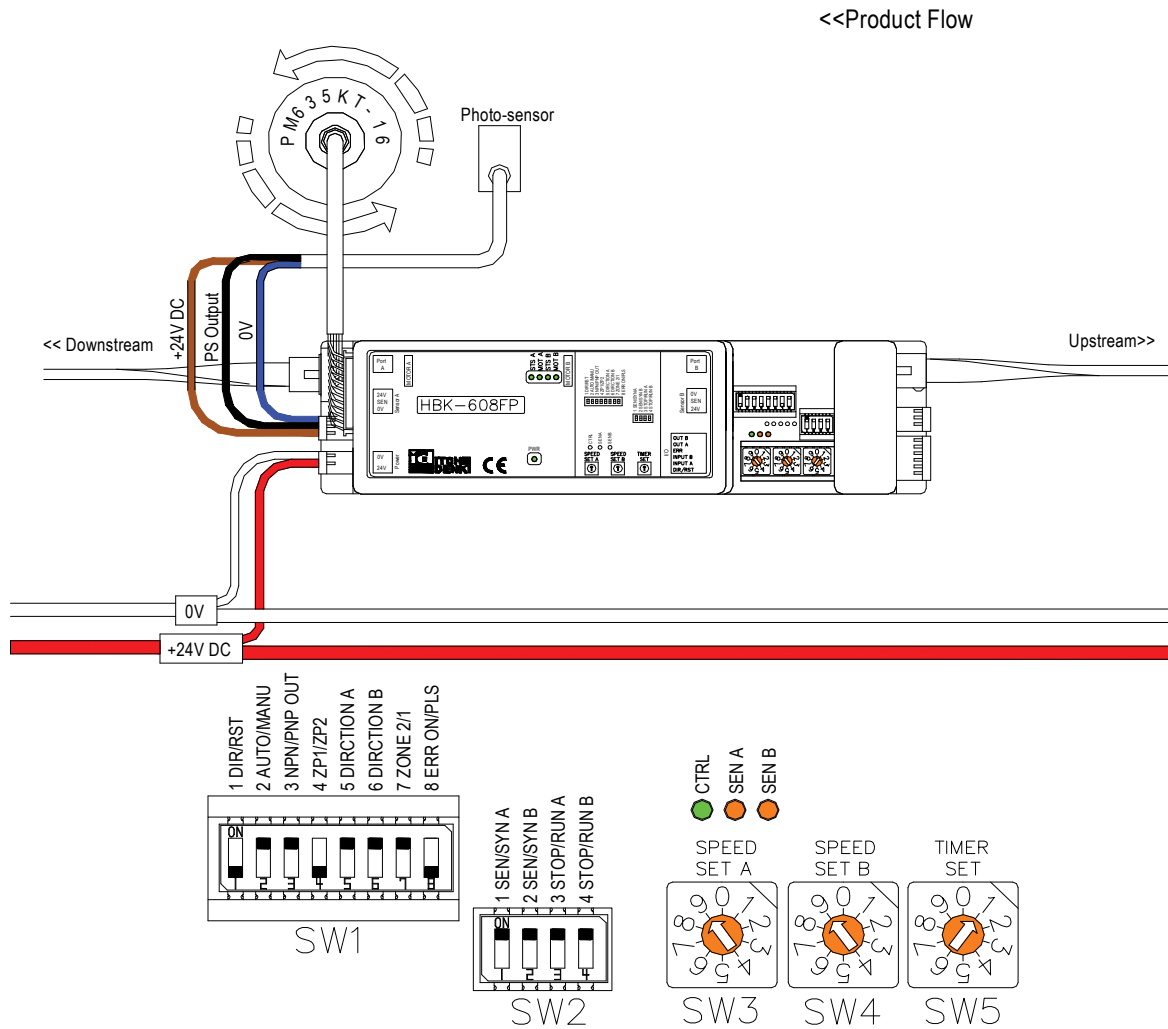
The signal from the controller will be applied to INPUT CN4-3 for product flow in the reverse direction. The cards DIP switch 2-4 will be set to ON for Motor B forcible run.

There is no timing function applied to this configuration. The external discharge signal must remain active until the article has completely exited the zone (or cleared the photo-eye). Whenever the discharge signal is not active, the zone will stop and accumulate whenever an article is present.

Specifications subject to change without notice

Single Zone One MDR

The card is in standard orientation.



Applicable when only one zone and one MDR are needed. Set DIP switch SW1-7 ON for single zone operation. To remove motor B's motor unplugged error set DIP switch SW2-4 OFF. This configuration is used both with and without external direction signal input to CN4-1.

Note: Power must be cycled OFF-ON for switch changes to take affect if settings are changed while card is already powered ON

Specifications subject to change without notice

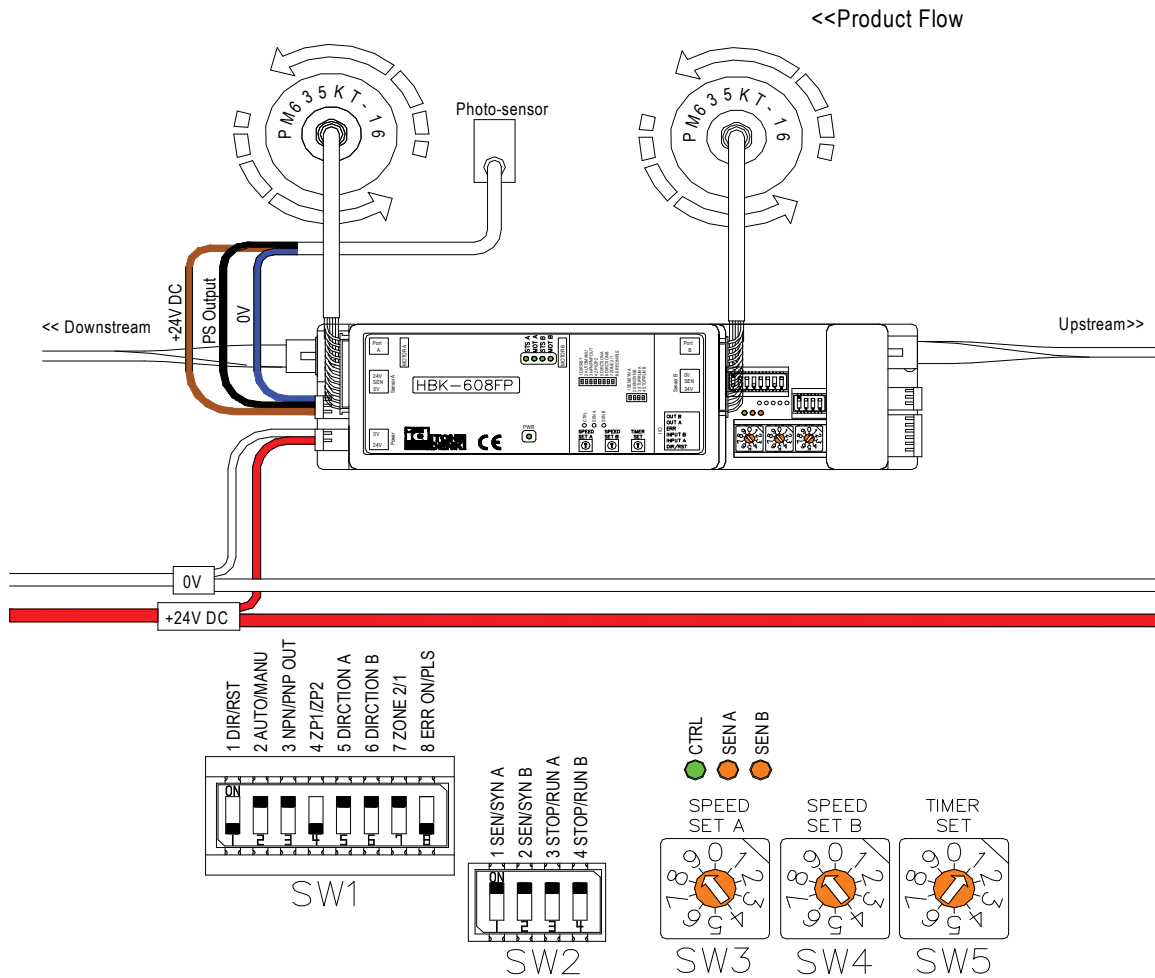
ITO DENKI USA, INC
135 Stewart Road
Hanover Industrial Estates
Wilkes-Barre, PA 18706-1462

PH: 570-820-8811
FX: 570-820-8838

rev15-0528
Page 23 of 26

Single Zone Two MDR's

The card is in standard orientation.



Applicable when two MDR's are needed in one zone. Set DIP switch SW1-7 ON for single zone operation. To synchronize motor B with motor A, set DIP switch SW2-2 ON. This configuration is used both with and without external direction signal input to CN4-1.

Note: Power must be cycled OFF-ON for switch changes to take affect if settings are changed while the card is already powered ON

Specifications subject to change without notice

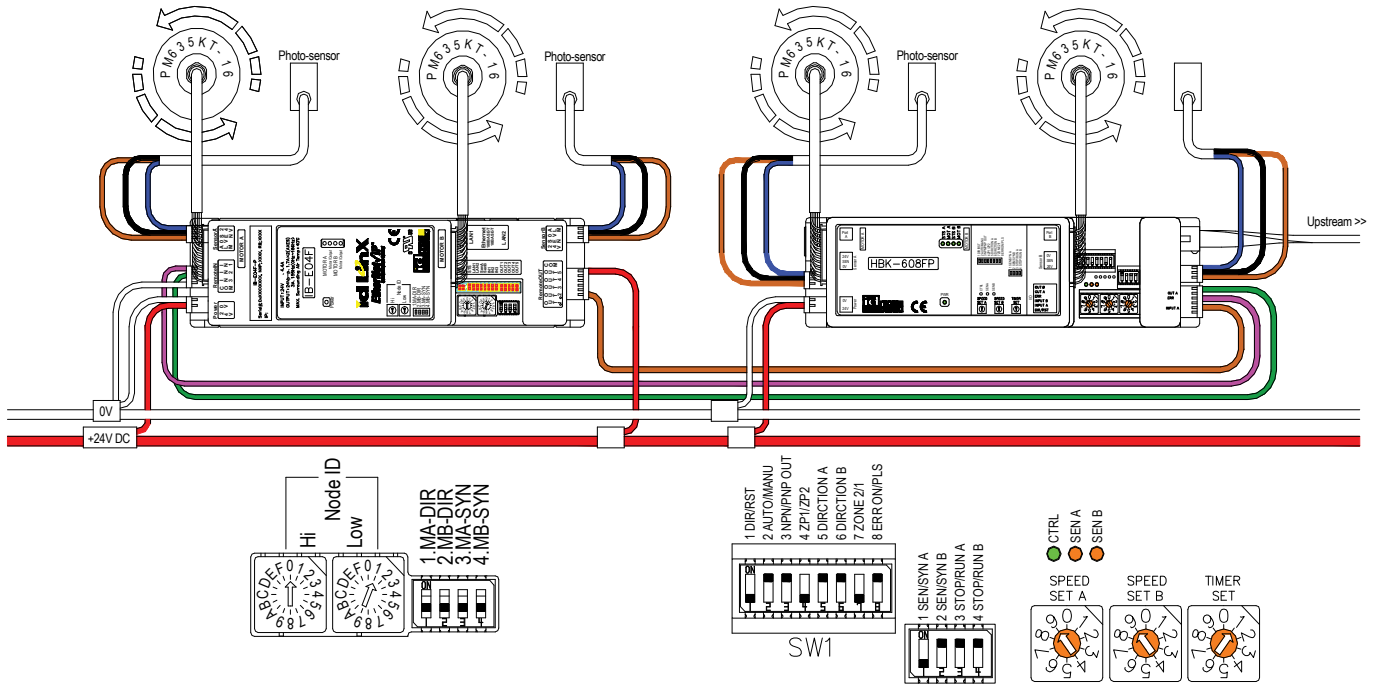
ITO DENKI USA, INC
 135 Stewart Road
 Hanover Industrial Estates
 Wilkes-Barre, PA 18706-1462

PH: 570-820-8811
 FX: 570-820-8838

rev15-0528
 Page 24 of 26

Handshake signals between HBK-608FP and IB-E04BP

The cards are in standard orientation.



A HBK-608F has the ability to handshake signals to the IB-E03B and IB-E04F. Product will accumulate at the last zone before the HBK card. When sensor A is blocked on the HBK it sends the sensor out signal to the IB. Then the IB sends a force run signal to the HBK to start up the zone to receive. If a HBK has an error, the error output signal is pulsed from the HBK to the IB card which can determine the error condition and bring it to upper level Ethernet communication.

Set up:

- Both cards are in standard orientation
- No communication cable is in CN302
- On the HBK set DIP switch SW1-8 to ON for pulsed error output
- On the HBK set DIP switch SW2-3 to ON for forced run motor A
- On the HBK set DIP switch SW2-1 to OFF for sensor A output
- On the IB card there are no DIP switch settings necessary and the card remains in standard orientation

Wiring:

- Connect CN4-4 on the HBK card to Remote Input 1 on the IB card (remote input 1 must be used)
- Connect CN4-2 on the HBK card to a Remote Output on the IB card*
- Connect CN4-5 on the HBK card to a Remote Input on the IB card*
- When using an HBK-608FP, connect the common on Remote Input to 0V and the common on Remote Output to +24V. When using an HBK-608FN, connect the common on Remote Input to +24V and the common on Remote Output to 0V

*Any remote output on the IB card can be used according to your specific program or controller

Specifications subject to change without notice

Revision History

Revision Number	Change
15-0420	Initial document
15-0528	Updates to page 11 forcible run

Specifications subject to change without notice