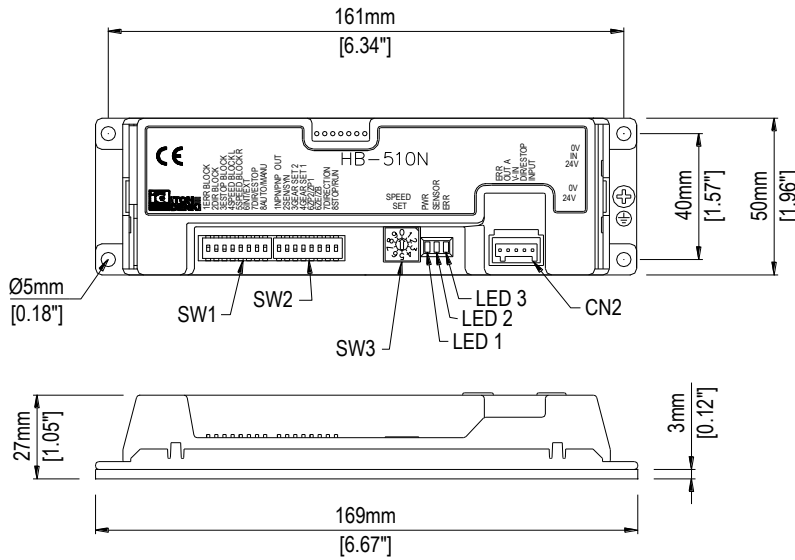


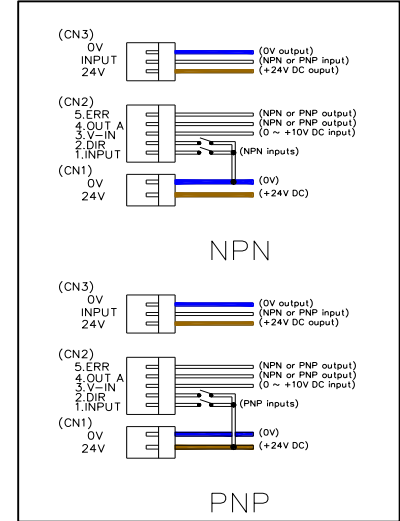
# HB-510 ZPA Hybrid Card



Applicable Models: PM486FS, PM486FE, PM486FP, PM570FE, PM605FE, PM635FS



## Wiring



## Features:

- Built in thermal protection for both driver card and Power Moller
- Three LED's to identify type of error and number of occurrences
- Dynamic brake control
- Stable speed function to ensure articles of different weights travel at the same rate
- Variable speed control by rotary switch or by external voltage input for up to 10 speeds
- Direction control by onboard DIP switch or external signal input
- Logic for general zero pressure accumulation (ZPA) control is built in
- Direct connection for photo eye to both power it and receive its output signal
- Easy connection between adjacent HB-510's with communication cable to simplify wiring
- Flexible Zone Recognition (patented) to handle long articles which simultaneously block multiple sensors
- Also available for rollers with built-in brakes, HB-510B
- Includes mounting hardware and wiring connectors
- Four (4) M4 x 15 phillips pan head mounting screws and nuts

To view more information please visit [www.itohdenki.com](http://www.itohdenki.com)

❄ - Low temp option available

Connectors for power and control are: Power: WAGO #734-102 (Included)  
 Sensor: WAGO # 733-103 (Included)  
 Optional External Control: WAGO #733-105 (Not Included)

## Operation

- Cycle: 1s ON; 1s OFF
- Continuous or Intermittent duty
- Do Not Exceed 150% of No-Load Speed

## Protection

- Thermal overload 185° F (85° C) on PCB
- Thermal overload 221° F (105° C) in the motor
- 5 A fuse to power supply
- Diode for protection from incorrect wiring

## Environment

- Ambient Temperature 32~104° F (0~40°C)
- < 90% Relative Humidity (No condensation)
- No Corrosive Gases
- Vibration < 0.5G