

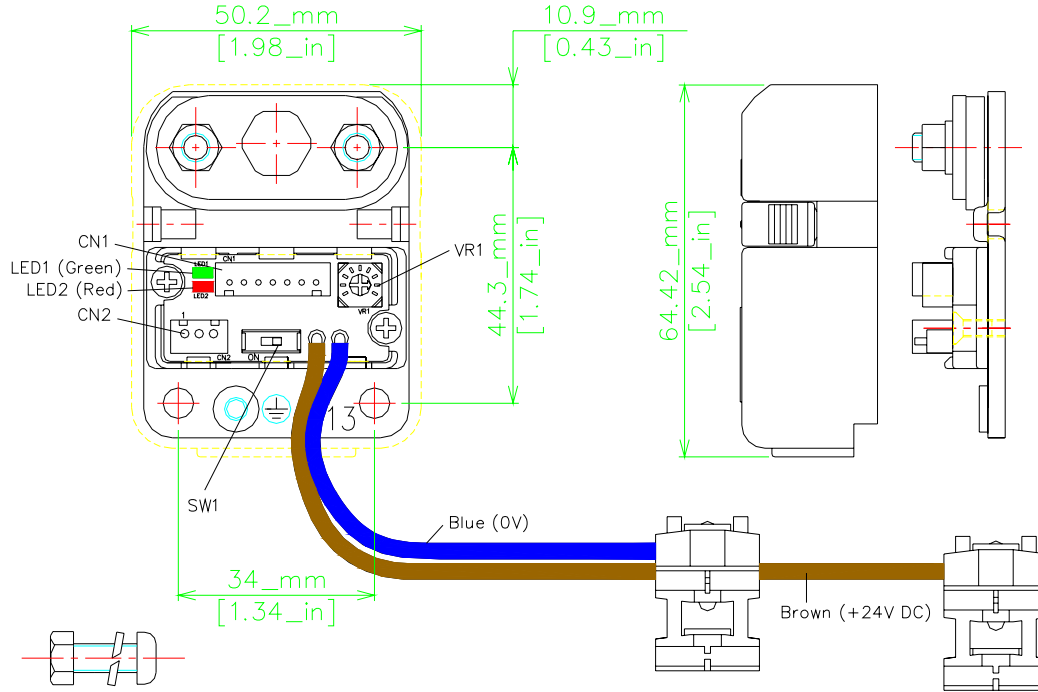
A-B70-G & A-B80-G I/O Terminal Block



- I/O terminal on mounting bracket
- Available for XE / XP series
- Speed can be adjustable from 12.5% to 100% by potentiometer
 - Built-in 10 k Ω resistor for speed variation
- Green LED illuminates for 24VDC power
- Red LED illuminates for motor error
- Reverse direction using a sliding switch
- 24VDC is supplied using cable splice connectors
- RUN & DIR inputs from any 24V DC switching source

SPECIFICATIONS SUBJECT TO CHANGE WITHOUT NOTICE

SPECIFICATIONS



Electrical 24V DC $\pm 10\%$ input
 - Battery
 - Power Supply: fullwave rectified with smoothed current and $< 10\%$ Ripple

Applicable PM Models PM486/500XE*
 PM486/500XP*

* **“C007” (70 mm) cable option is required for use with this terminal block**

Applicable Environment Temperature 0~40° C (32~104° F)
 <90% Relative Humidity (No condensation)
 No corrosive gas
 Vibration <0.5G
 Indoor use only

Models A-B70-G is hex flat-up (shown above)
 A-B80-G is hex point-up

SPECIFICATIONS SUBJECT TO CHANGE WITHOUT NOTICE

Connectors

Control Connector

3-Pin JST (CN2)
 - B3B-XH-A (board-side)
 - XHP-3 (motor-side)
 - 28~22 AWG
 socket terminal SXH-001P-P0.6

PIN #
 1 – Common
 2 – Start/Stop
 3 – Direction

Motor Connector

7-Pin JST (CN1)
 - B7B-XH-A (board-side)
 - XHP-7 (motor-side)
 - 28~22 AWG
 socket terminal SXH-001P-P0.6

PIN #
 1 – +24V DC
 2 – 0V
 3 – Common
 4 – Start/Stop
 5 – Direction
 6 – External speed voltage
 7 – Error signal*
 *Not discharged from terminal block, only red LED indication

Power Connectors

171404-1 AMP
 - 16~14 AWG
 cable splice connector

Brown – +24V DC
 Blue – 0V

OPERATION

Switch	Function	ON	OFF	External DIR Signal (CN2-3)
SW1	Direction* (Default CCW)	CW	CCW	OFF
		CCW	CW	ON

*Viewed from cable side of roller

Potentiometer



VR1 – Speed **min** **max**

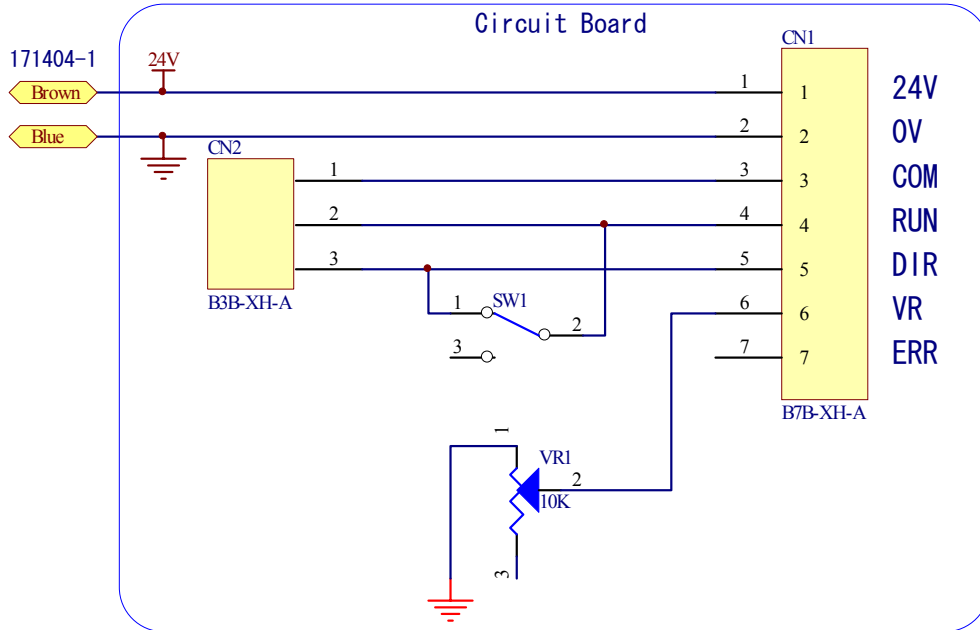
- 10kΩ potentiometer
- VRs turn 270°

LED Indications

LED 1 – Green (power)
LED 2 – Red (error condition)

SPECIFICATIONS SUBJECT TO CHANGE WITHOUT NOTICE

WIRING



Precautions for operation

- Be sure to shut off the power before inserting or removing connector. It may cause damage or electrical shock.
- Be sure to connect XE or XP to CN1. Do not connect other devices to CN1.

SPECIFICATIONS SUBJECT TO CHANGE WITHOUT NOTICE

Page 4 of 5

Revision History

Revision Number	Change
08-1028	Initial document

SPECIFICATIONS SUBJECT TO CHANGE WITHOUT NOTICE