

## Technical Bulletin Bracket Transition A-071-G to MBB-071

**Notice:**

The A-071-G bracket has been replaced by the MBB-071. The A-071-G will no longer be available to purchase. The MBB-071 will be available for both new applications and replacements of the A-071-G.

**Reason for change:**

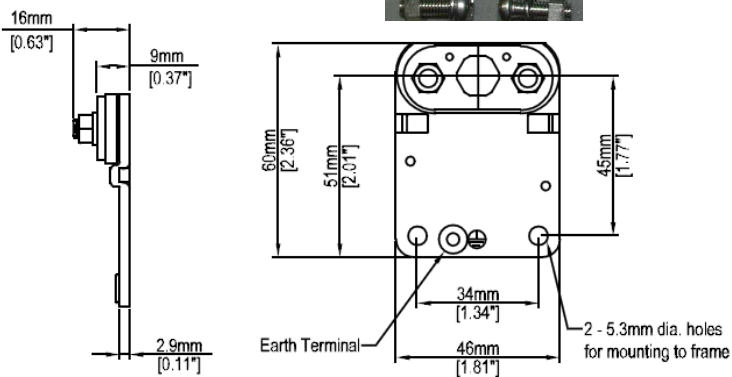
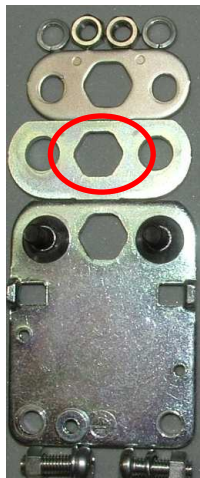
The MBB-071 is a universal mounting bracket that will become the standard for all DC rollers that have a plain 7/16" Hex shaft.

**Features:**

- The shaft hole of the middle mounting plate is rotated a few degrees which grips the shaft securely once the top plate and nuts are tightened to the correct torque.

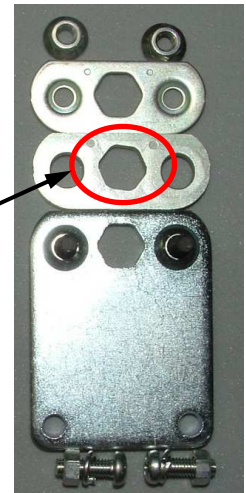
**Old**

**A-071-G**

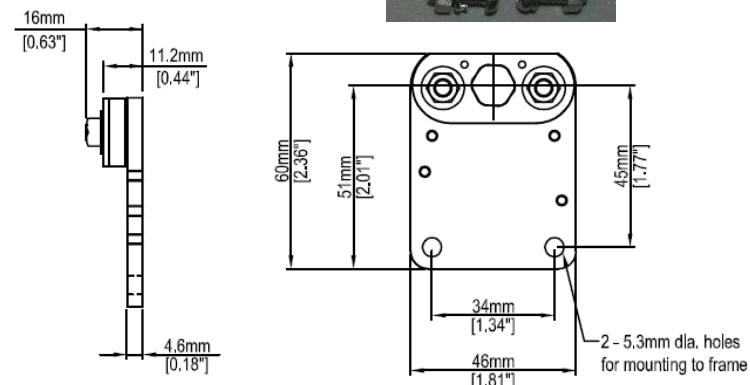


**New**

**MBB-071**



Rotated shaft hole



**SPECIFICATIONS SUBJECT TO CHANGE WITHOUT NOTICE**